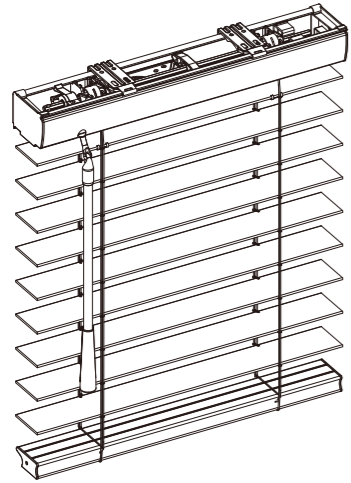


# Installation & Maintenance Instructions

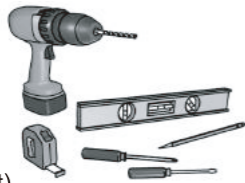


## Getting Started




Remove the blind from the package. Be sure to keep the packaging until the blind operates to your satisfaction. Please take a moment to review the following installation guide for proper installation.

### Recommended Tools

- Measuring Tape
- Pencil
- Level
- Screwdriver
- Power drill (1/4" hex driver and drill bit)

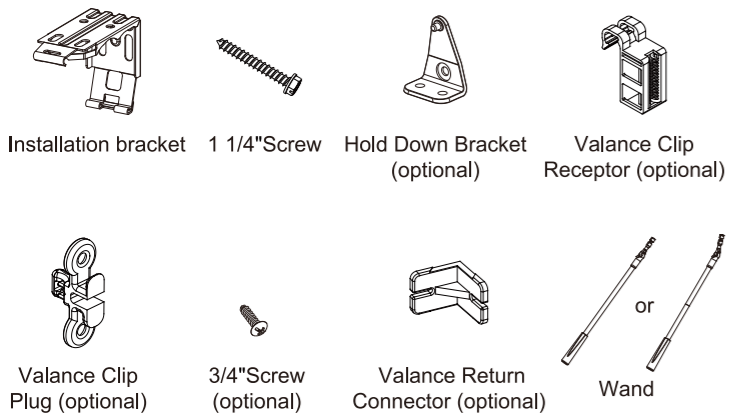


You will need to use the following fasteners for your particular mounting surface.

Mounting Surface	Fastener
Wood	1 1/4" Hexagonal Head Screw (Provided) 
Drywall/Plaster	Wall Anchors, Expansion Bolts (Not Provided) 
Metal	Sheet Metal Screws (Not Provided) 

## Check Component / Hardware:

Check your package for contents needed for proper installation.



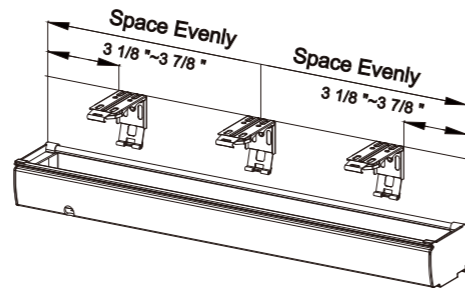
## Hardware Standard Quantity

Blind Width (X)	X ≤ 37"	37" < X ≤ 47"	47" < X ≤ 60"	60" ≤ X ≤ 75"	75" < X ≤ 96"
Installation Bracket	2	3	4	4	5
1 1/4" Screw for Installation Bracket	4	6	8	8	10
Wand	1				
Valance Clip (optional)	2	3	3	4	4
Valance Return Connector for Modern Curved Valance (optional)	2				
Valance Return Connector for Designer Crown Valance (optional)	4				
Hold Down Bracket (default for width 30" and under, optional for width over 30")	2				
3/4" Screw for Hold Down Bracket (default for width 30" and under, optional for width over 30")	4				

Note: You may find more hardware parts than you actually need. In that case, feel free to set them aside for future use.  
Valance Return Connector is provided only when returns are required.

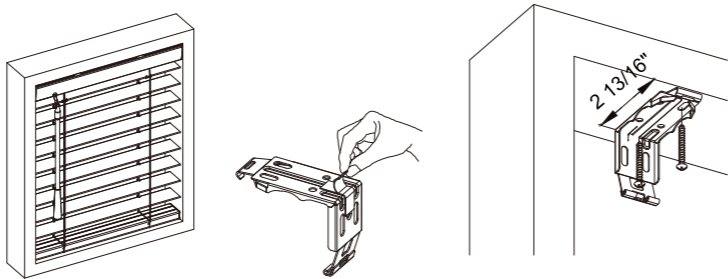
## Step 1. Bracket Installation

Mark the bracket location on the mounting surface. For easy installation and proper blind operation, use a level to ensure all brackets are alignment.

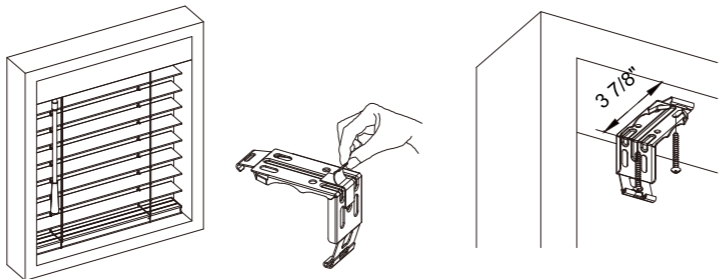


Allocate min. distance from wall face to the backside of the brackets. Peel off the double-sided adhesive tape on the bracket and stick the bracket at the marked location. Use two 1 1/4" mounting screws to secure bracket. Use wall anchors for drywall or plaster wall.

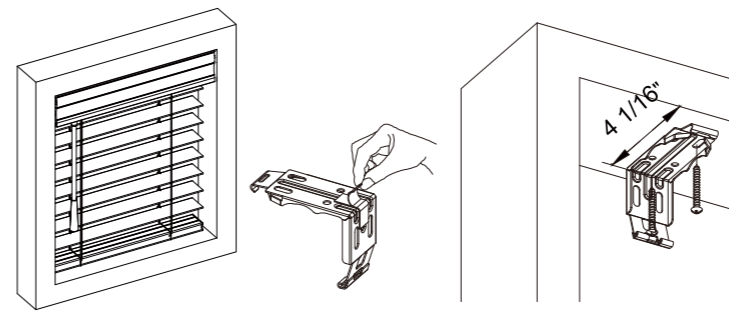
### Inside Mount



Without Valance peel off the paper Installation Bracket Location

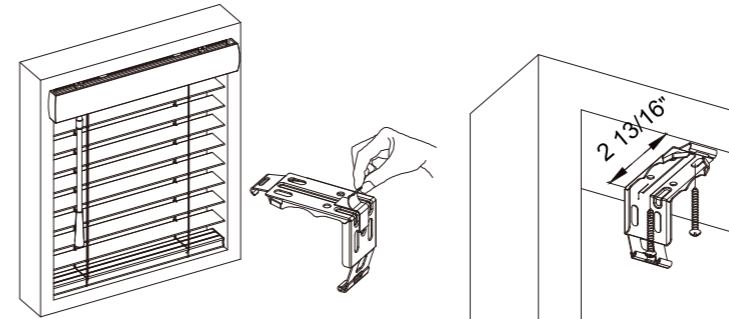


With Modern Curved Valance (optional) No Valance Return peel off the paper Installation Bracket Location



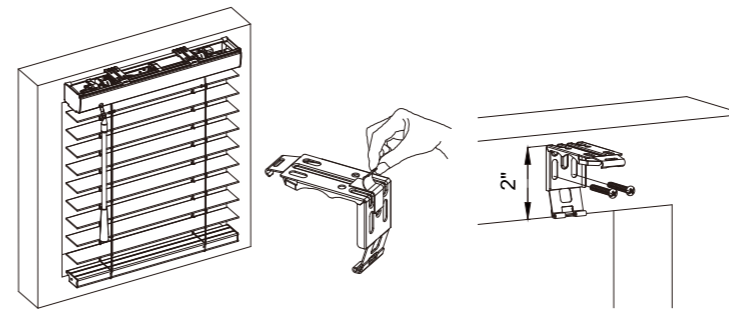
With Designer Crown Valance (optional) No Valance Return peel off the paper Installation Bracket Location

### Semi-inside Mount (Bracket flush to wall)

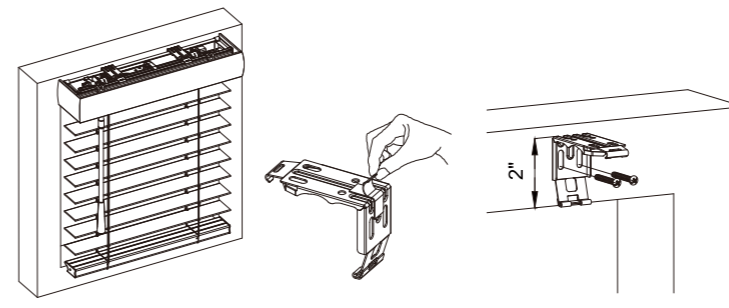


With Valance and Valance Return (optional) peel off the paper Installation Bracket Location

### Outside Mount



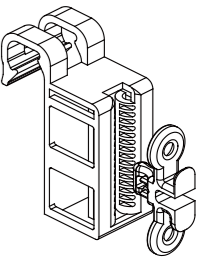
Without Valance peel off the paper Installation Bracket Location



With Valance and Valance Return (optional) peel off the paper Installation Bracket Location

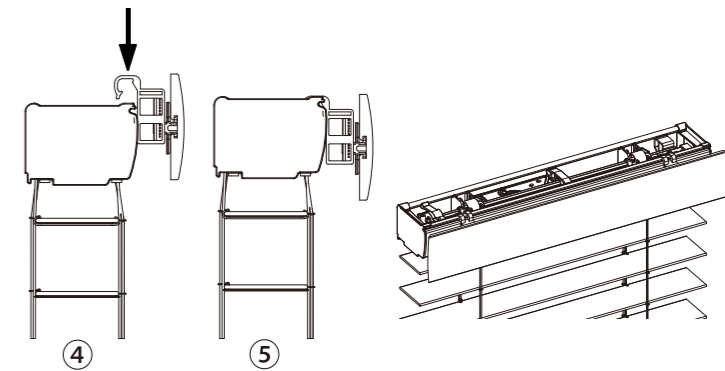
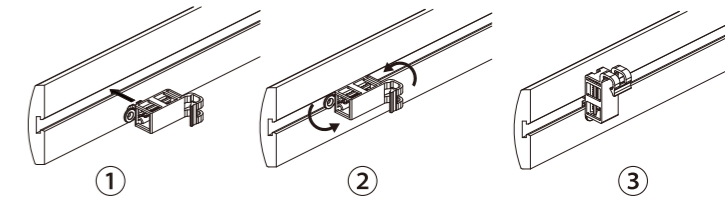
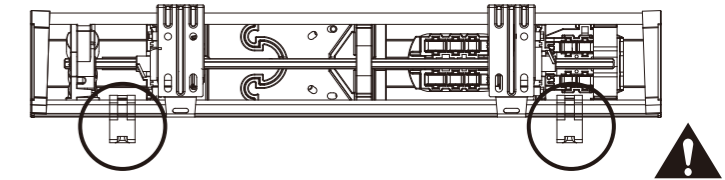
## Step 2. Install the Valance Clip (for valance option)

- Attach the valance clip plug into the receptor. Refer to the right drawing for the plug position.

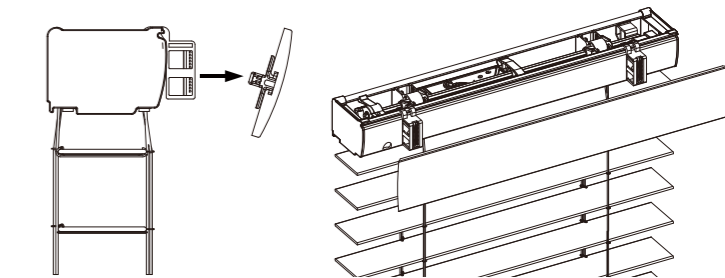


Attach the valance clip plug and receptor into the channel on the backside of the valance. Attach the valance return if needed. Hook the valance clip receptors onto the headrail and space them evenly.

**Make sure receptors are not in obstructive position with the drum support or wand tilter inside the headrail and the brackets.**

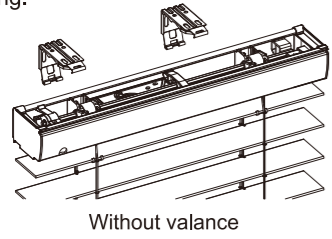


Remove the valance together with valance clip plugs away from the receptors before installing the blind. **Leave the receptors on the headrail.**

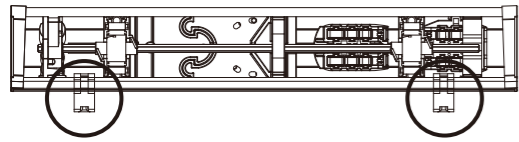


### Step 3. Install the Blind

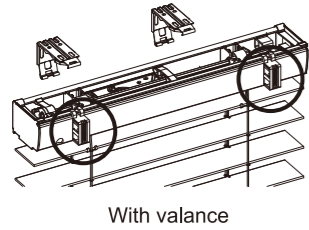
- For blind without valance, attach the headrail to the brackets directly as below drawing.



- If valance is required, make sure the valance clip receptors are attached on the headrail before installing the headrail.

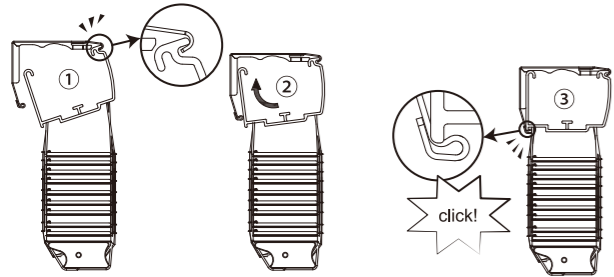


- Install the blind as below drawing for valance option.

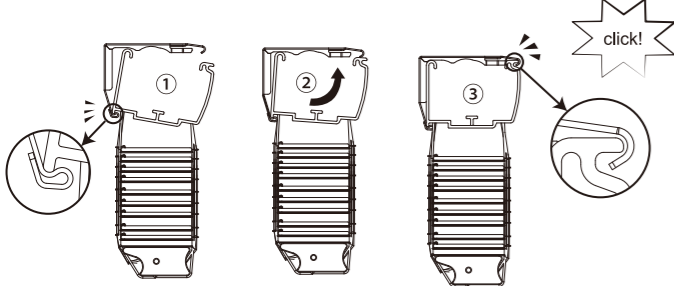


#### Choose one of below ways to attach the headrail to bracket.

- Start with attaching the headrail front to the bracket first.

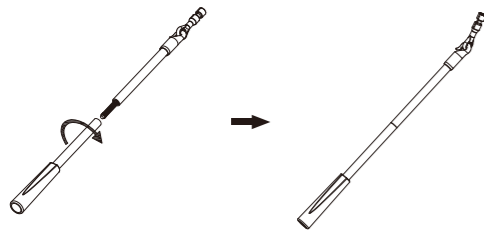


- Start with attaching the headrail back to the bracket first.



### Step 4. Assemble the Split Wand(if needed)

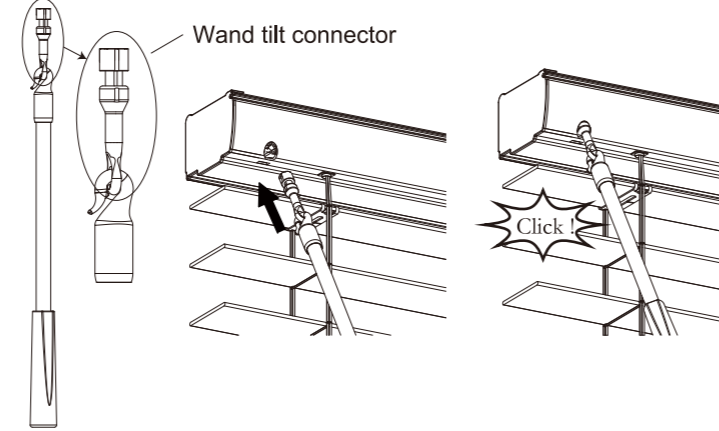
For split wand, screw the wand to the other end (with connector) clockwise till firmly connected.



### Step 5. Insert the Wand

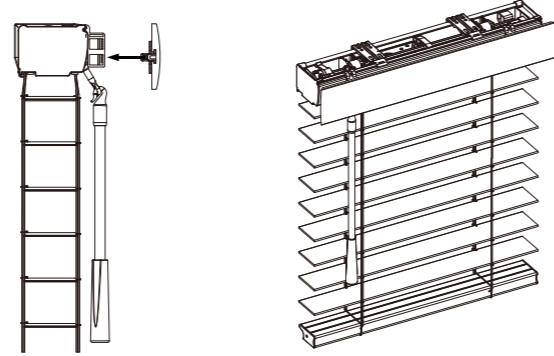
Insert wand tilt connector into the bottom of headrail till they are clicked.

Do not take down the wand after installed.

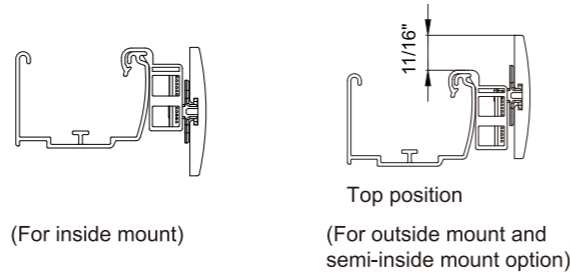


### Step 6. Attach the Valance (for valance option)

Attach the valance to the headrail by inserting the plugs into the receptors.

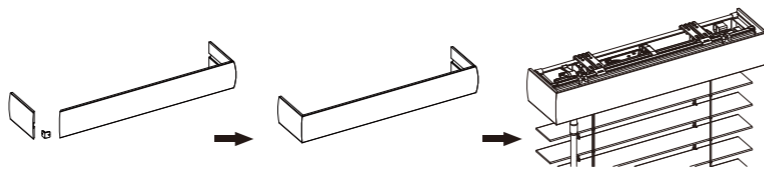


- Finalize valance installation position first.
- Attach the valance to the headrail by inserting the plugs into receptors as below drawing.

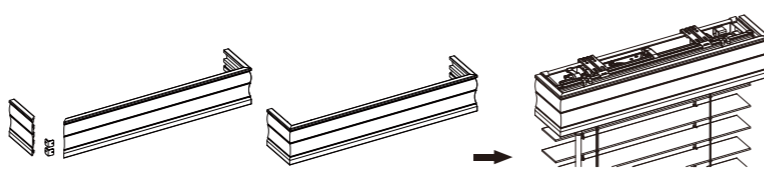


If the valance return is needed, join the valance return with valance by valance return connector first, and then attach the valance together with valance returns to the headrail.

#### Modern Curved Valance with Valance Returns(optional)



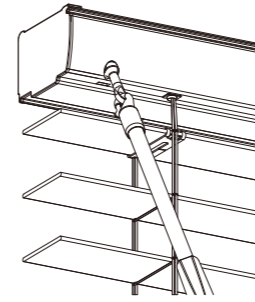
#### Designer Crown Valance with Valance Returns(optional)



### Operate Your Blind

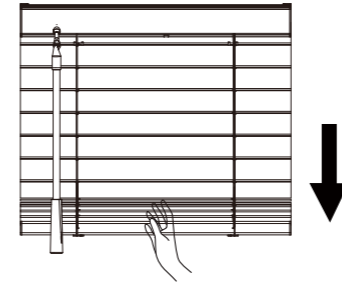
#### Tilt wand

Rotate wand to attain desired slat position



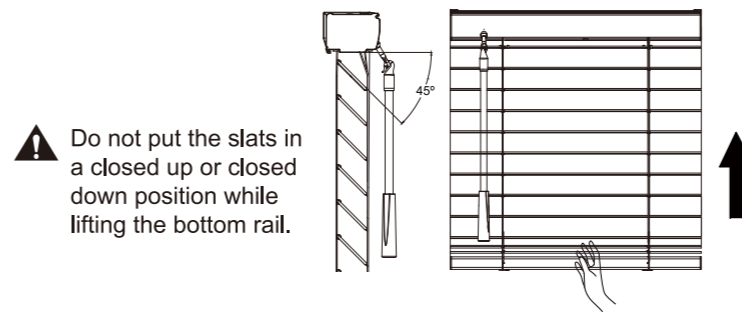
#### Lower the blind

The slats need to be opened at any angle and keep even when pulling the bottom rail down by hand.



#### Raise the blind

Gently tilt the slats toward you at 45 degree before lifting the bottom rail up by hand.

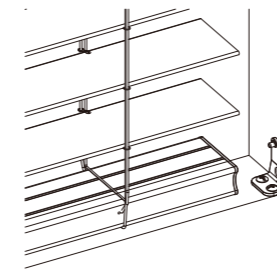


### Additional Attachments

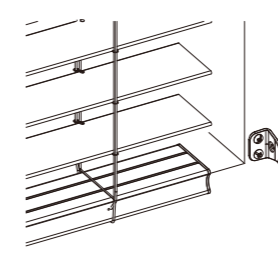
#### Hold down brackets (if included)

Attach the hold down brackets against a flat surface, horizontally or vertically, parallel to the bottom rail. Make sure the protruding area is aligned with the hole on the side of the bottom rail. Secure the hold-down bracket into the bottom rail on both sides to keep blinds in desired location.

#### Inside Mount

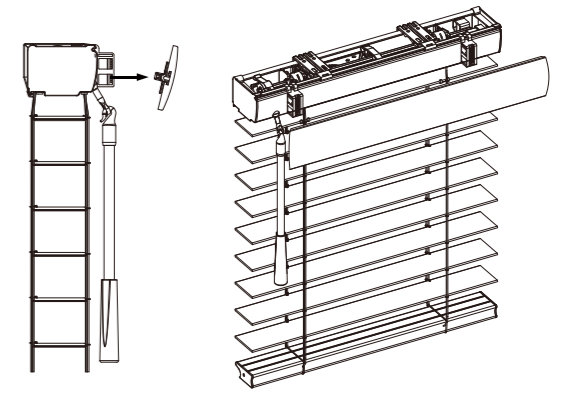


#### Outside Mount

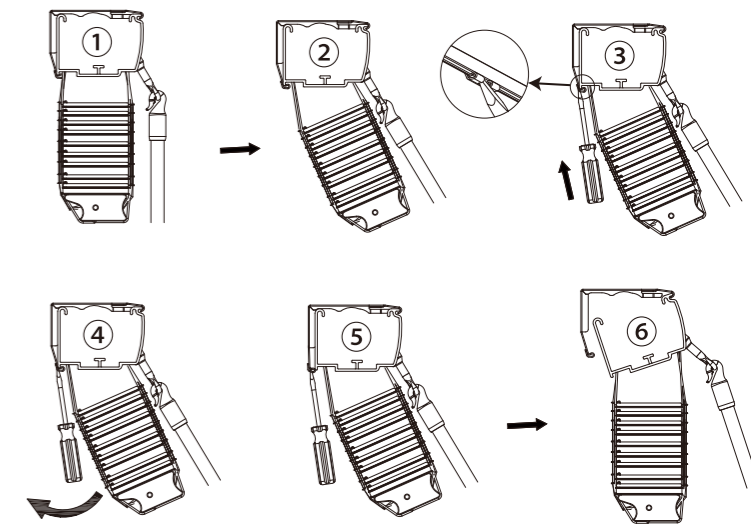


### Remove the Blind

Remove the valance and valance clip plugs away from the receptors first if valance is included.



#### Remove the blind from brackets



### Cleaning Instructions

Perform periodic simple cleaning of your blind will keep your blind looking its best for the years to come. There are two ways to clean. You can dust it with a duster or dusting mitten, or simply use a soft cloth slightly moisten with lukewarm water to wipe down the slats. You can clean it with the blind hanging on the window, or you can take it down completely. By tilting the slats down but not fully closed, you will be able to clean most of the top surface of each slat. **Do not use detergent or abrasive cleaning solutions to clean the blind since it will likely cause damage to the blind.**