

## Sheer Shade Installation Instructions



Inside Mount      Semi Inside Mount      Outside Mount

### Recommended Tools

- Screw gun / Drill
- Tape Measure
- Screwdriver
- Level
- Pencil



### Hardware Included

#### 1. Screws needed for installing

Hardware	Drawing	Usage
#8 x 1 1/4" Hexagon screw		To install bracket
2" Flat head screw		To install safety tension device

#### 2. Hardware for your sheer shades

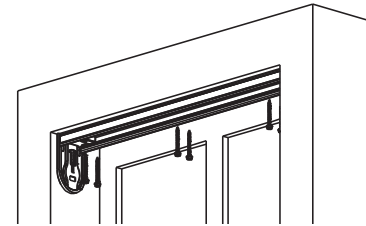
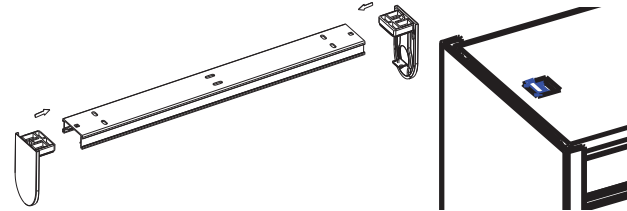
Hardware	Drawing	Usage
Inside Mount Shade Bracket		To install shade (on Clutch end/Motor end) for Inside Mount, Semi Inside Mount
Inside Mount Shade Bracket		To install shade (on End Plug end) for Inside Mount, Semi Inside Mount
Outside Mount Shade bracket		To install shade (on Clutch end/Motor end) for Outside Mount
Outside Mount Shade bracket		To install shade (on End Plug end) for Outside Mount
6mm Extension		Used together with Shade Bracket
Middle Mounting Bracket		Used for Outside Mount when width is over 40"
Extension		Optional; included upon request

Hardware	Drawing	Usage
Valance bracket		To install Fascia/Valance (mounted on raceway)
Valance clip		To install Fascia/Valance (placed on Fascia/Valance)
Curved Fascia end cap		For Curved Fascia
Valance return connector		To connect fabric valance returns

### Shade Bracket Installation

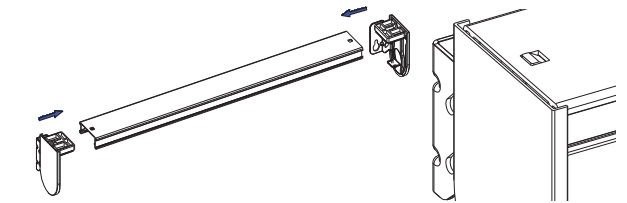
#### For Inside Mount

Attach the shade brackets and extensions into the two ends of the raceway. Make sure the extension bolt locks into the raceway's dedicated hole. Install the raceway system into the window opening. It is better to first secure screws into the middle holes of raceway to make sure the raceway location can be adjusted to left or right, and use level to help adjust as necessary, after the raceway has been located at proper position, and then secure the screws into the remaining holes. Ensure the distance between the front screw and the window edge is at least 3/4".

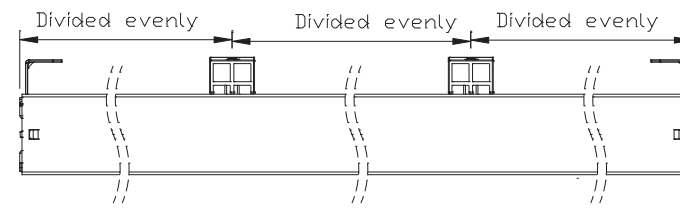
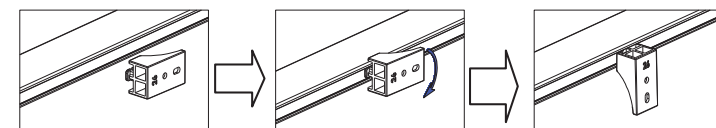


#### For Outside Mount

Attach the shade brackets and extensions into the two ends of the raceway. Make sure the extension bolt locks into the raceway's dedicated hole. If there are middle mounting brackets, install the middle mounting brackets and then install end installation brackets to the wall. The screws should be at least 3/4" above the window edge.

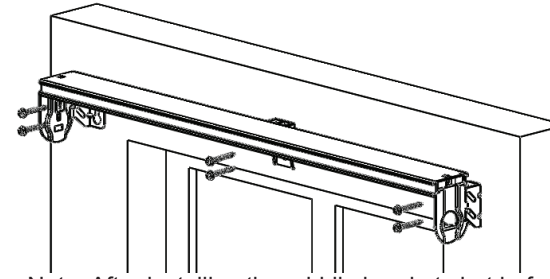


#### Middle installation brackets:

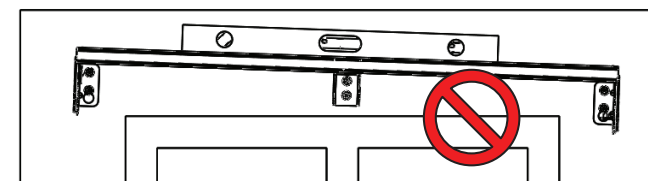
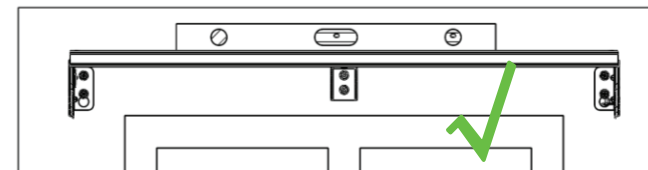


The space between each mounting bracket should be divided evenly as pictured. Middle brackets should be installed before shade brackets on raceway ends.

Install the brackets into the wall:



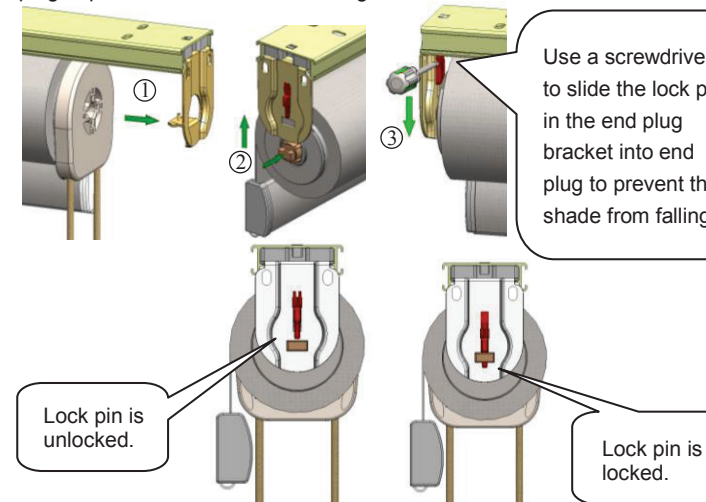
Note: After installing the middle brackets but before securing the end brackets, use the level to inspect whether the raceway is horizontal. If not, please adjust the position of the shade bracket to keep the raceway level, and then screw in end brackets.



### Shade Installation and Removal

#### > Installation of Sheer Shade

- 1 First, insert the Clutch end/Motor end into the tongue of clutch bracket.
- 2 Second, press in the end plug and insert the end plug end into the hole of bracket of the other side.
- 3 Finally slide the lock pin in the end plug bracket downward into the end plug to prevent the shade from falling.



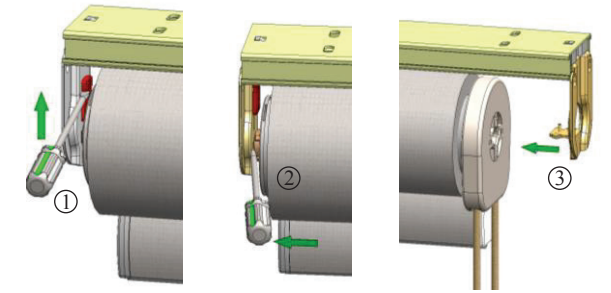
Lock pin is unlocked.

Use a screwdriver to slide the lock pin in the end plug bracket into end plug to prevent the shade from falling.

Lock pin is locked.

#### > Removal of Sheer Shade with Raceway System

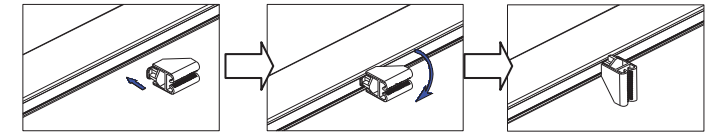
- 1 Use a tool to push the lock pin on end plug bracket upward.
- 2 Use tool to draw back the end plug from bracket.
- 3 Finally remove shade from mounting bracket, as shown below.



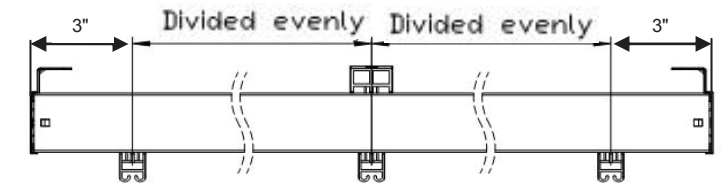
### Fascia & Valance Installation and Removal

#### Valance Bracket Installation

Stick the valance bracket horizontally into the raceway groove and turn 90 degrees to lock in the raceway groove. The top groove of the valance bracket should hook onto the top of the raceway while the bracket's bottom groove should clip into the bottom rib of the raceway, as shown below.



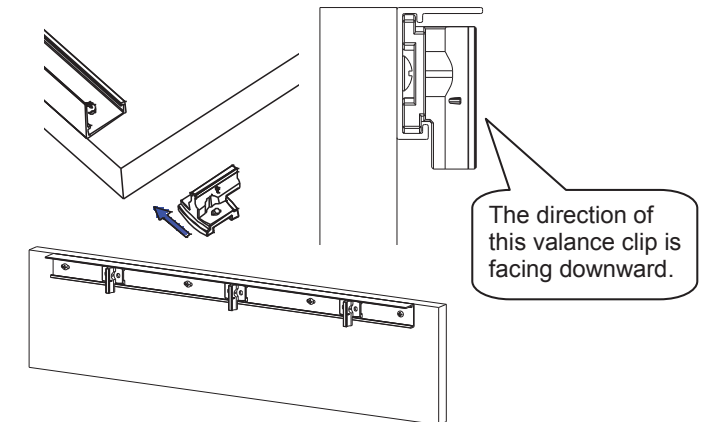
Valance bracket location: Distance to the ends of the raceway is 3", and the middle distances divided evenly are ~6", as shown:



#### Valance Clip Installation

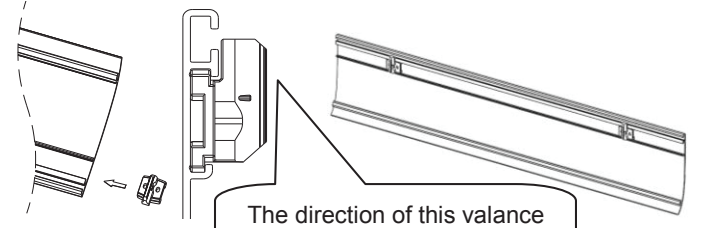
Insert the valance clip into the dedicated groove on the aluminum strip, paying special attention to the direction the valance clip is facing. For a valance, the valance clip should face downwards. The valance clip location should align with the valance bracket as pictured below.

For Fabric Valance:



The direction of this valance clip is facing downward.

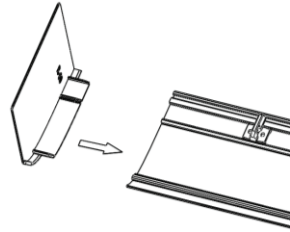
For Fascia:



The direction of this valance clip is facing upward.

## N300970-A

### Attach Fascia End Cap to Fascia

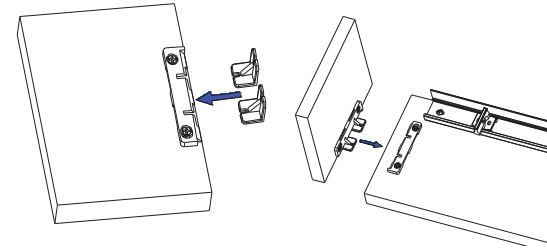


### Attach Valance Return to Valance

Note: please skip this step if there is no return.

- > First insert valance return connector to return.
- > Then attach return to valance.

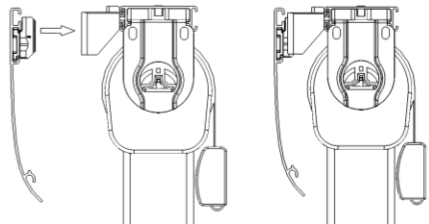
For Fabric Valance:



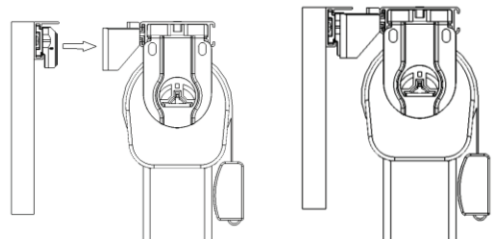
### Attach Fascia/Valance to Raceway

Slide the valance clips to a position on the fascia/valance so that they are each aligned with a valance bracket on the raceway, and then push the valance clips into the valance bracket.

For Fascia:



For Valance:



### Fascia/Valance Keystone Installation

Keystones are optional for fabric valances and default for fascias that require splicing.

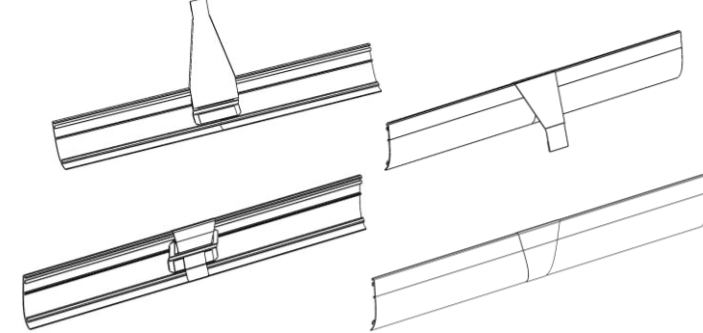
### Keystones for Fascia

Connector	Velcro tape	Already attached on back right of left side fascia
Keystone	Velcro tape	Wrapped around on fascia

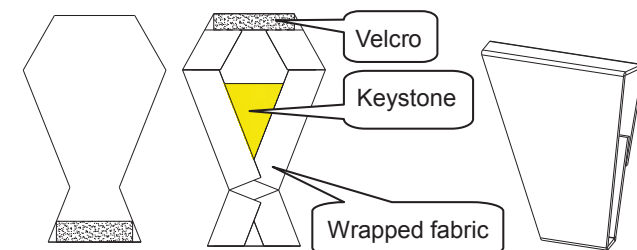
1. Align the fascias together. Then slide the connector from the left fascia over to the right fascia to connect the fascias together.



2. Attach the wider end of the keystone to the connector.
3. Wrap the keystone around front to back, and attach the bottom narrower end to connector.



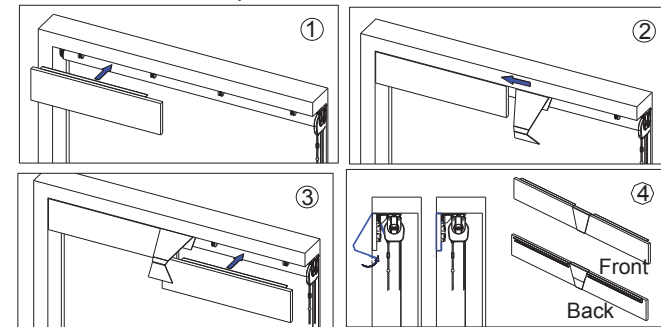
### Keystone for Fabric Valance:



> For inside mount

- 1) First, attach one valance to raceway (as shown in drawing ①);
- 2) Second, insert the top of keystone into the gap between valance and window frame (as shown in drawing ②);
- 3) Then attach the other end of the valance to the raceway (as shown in drawing ③);
- 4) Lastly, wrap the keystone around the valance and attach the keystone's Velcro ends together. (as shown in drawing ④)

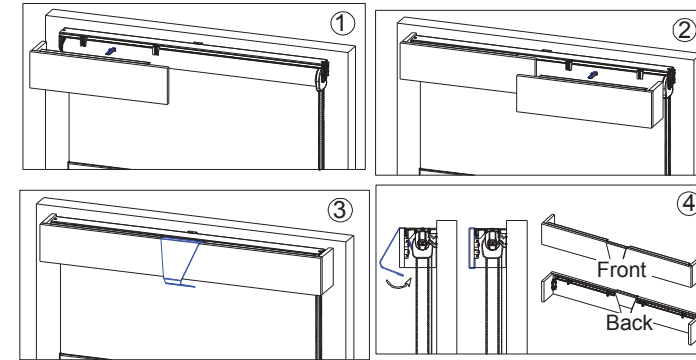
Note: A spliced valance is composed of two valance pieces (the left & right ones). The end far away from the aluminum strip is the joint of these two valance pieces.



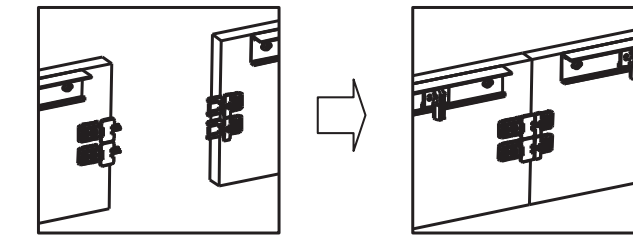
> For outside mount

- 1) Attach each valance piece to the raceway, as shown in drawings ① & ② below.
- 2) Place the keystone onto the joint where the two valance pieces meet, then wrap the top and bottom flaps of the keystone around the top and bottom edges of the valance, as shown in drawing ③ below.
- 3) Lastly, secure the keystone onto the valance with the included Velcro by affixing it toward the top and bottom of the keystone, as shown in drawing ④ below.

> For outside mount (continued)

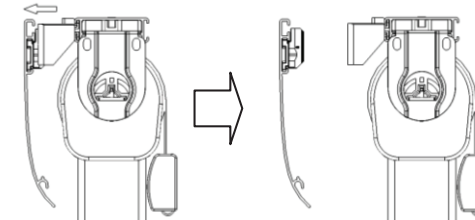


### Fabric Valance connector

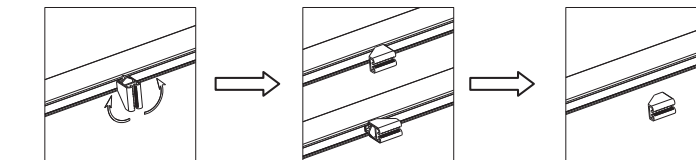


### Valance/Fascia Removal

- > First, remove valance/fascia together with valance clip from valance bracket.



- > Take down shade from mounting bracket before removing valance bracket from raceway.
- > Turn the valance bracket 90 degrees, then take off valance bracket from raceway, as shown below.

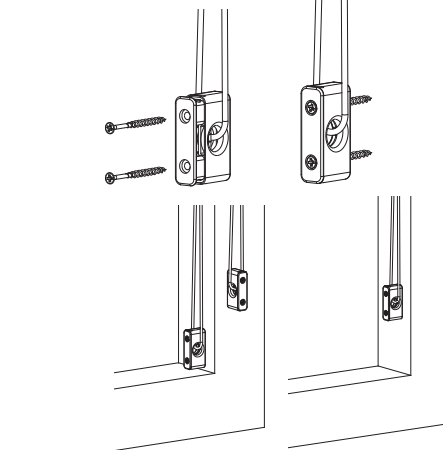


Note: The installation & removal for all fascias & valances are the same.

### Install Safety Tension Device

Use two 2" flat head screws to install the safety device.

The cord should be fully extended upon installation of the device.



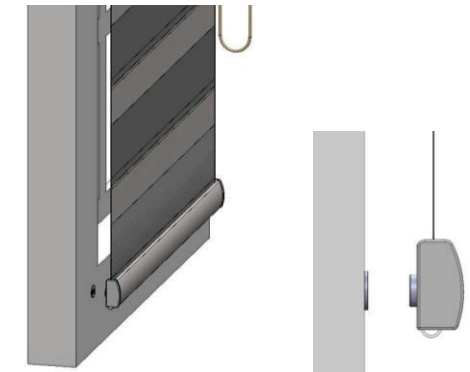
### Install Magnet Hold Down



Magnet Hold Down

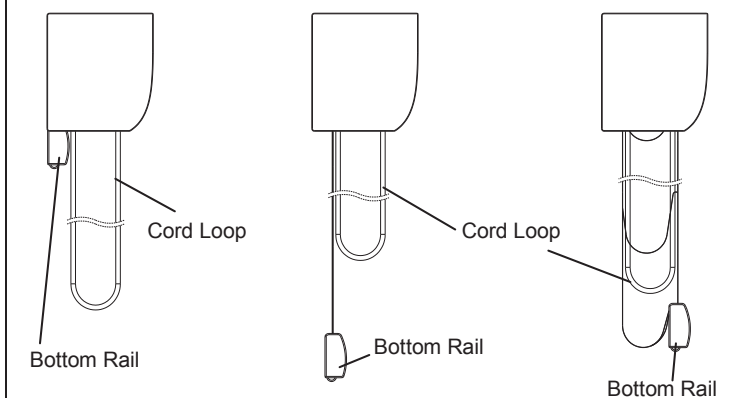
Magnet Catches

- > Magnet hold down is optional for inside mount and outside mount applications.
- > The magnet will be pre-installed at the factory on the bottom bar of the rear shade.
- > Allow extra wall space for installation:
  - 1) 1 7/16" in length, from the side edge of the shade.
  - 2) 5/16" in height, from the bottom edge of the shade or window sill.



### Sheer Shade Operation

#### Continuous Cord Loop Operation



Top Limit  
(Fully raised)

Shade full height  
(Order height)  
Vanes closed

Bottom Limit  
(Fully raised)  
Vanes open

Back of Shade

Front of Shade

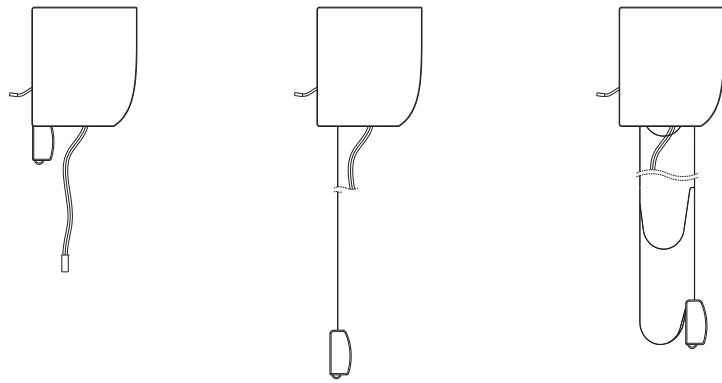
Pull the cord in back downward: the shade will lower, until the vanes are fully open.

Pull the cord in front downward, and the vanes will close and the shade will raise up.



# N300970-A

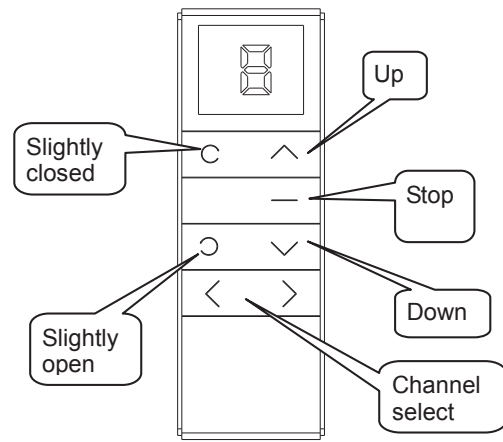
## Motorization Operation



Top Limit (Fully Raised)

Shade full height (Order height) Vanes closed

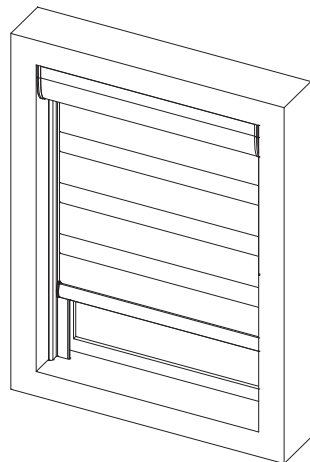
Bottom Limit (Fully raised) Vanes open



## Remote Control:

Use 1 Lithium cell battery CR2450 (3V) (not supplied). There are in total 15 channels (Channel # 1-15) available, plus a Channel 0. The shade will be preprogrammed by default to Channel 1 unless specified at the factory before shipping. And Channel 0 is set by default to operate all shades.

## Light Guard System Installation Instructions



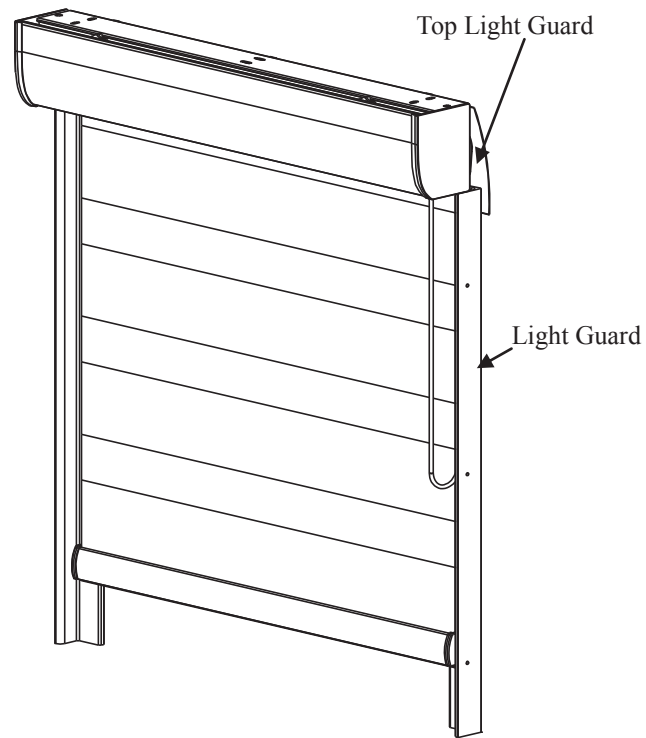
Note: please skip this step if the shade does not have a light guard.

## Hardware Included

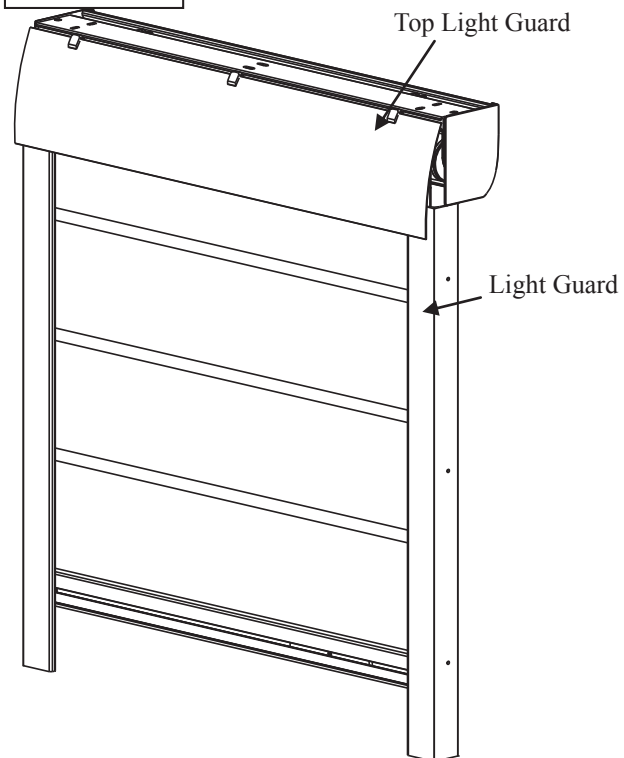
Hardware	Drawing	Usage
Top Light Guard Holder		To install top light guard (mounted on raceway)

## Installation of Top Light Guard

### Front View

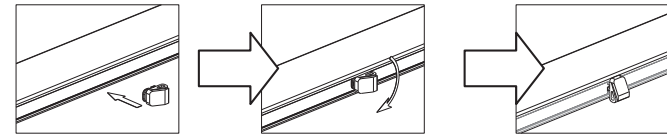


### Back View

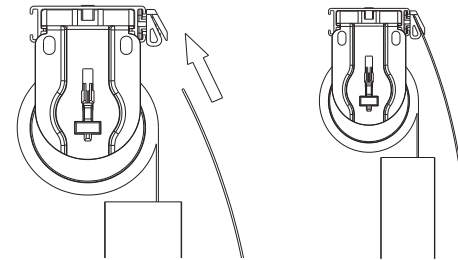


## Install Top Light Guard

- > Step 1: Stick the top light guard holder horizontally into the raceway groove and turn 90 degrees to lock into place.



- > Step 2: Insert the top light guard piece into the groove of the light guard holder.

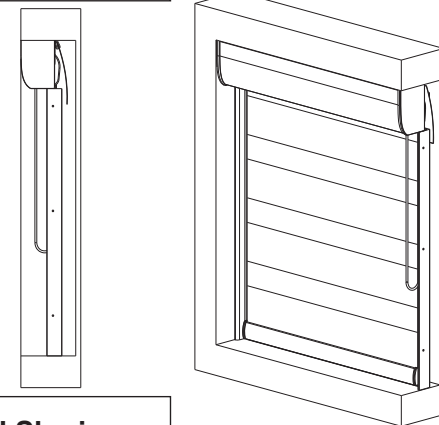


## Installation of PVC Light Guard

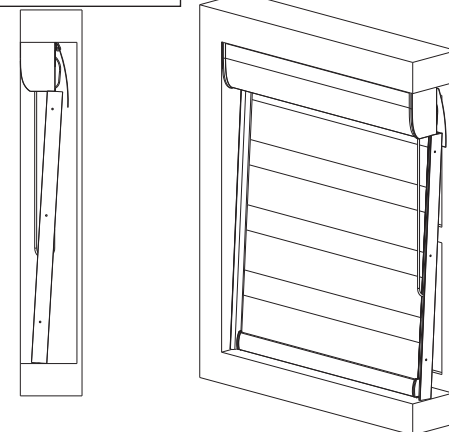
- > Step 1: Fully lower the shade down and place the wide side of light guard next to the back of shade fabric.
- > Step 2: Tear off the double-sided tape on the narrow side and stick the light guard to the window frame.
- > Step 3: For better light blocking, the top of the light guard should be placed next to the shade fabric and the bottom of the light guard is recommended to be installed sloping to the front.

Note: After the shade and top light guard piece have been installed, place the side light guards next to the back of shade fabric, one for each side. Before screwing in, please determine the position of the light guard and mark it with a pencil first. Then, install.

### Installed Vertically

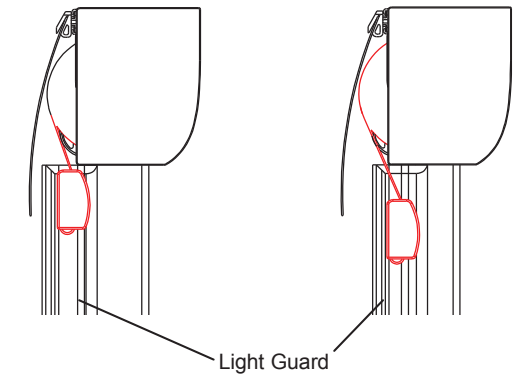


### Installed Sloping



## Caution:

The side light guards need to be placed next to the back of the shade fabric (as shown below in left drawing), but they should not touch the fabric. Please do not push the light guards inward (as shown below in right drawing); otherwise the shade will not raise or lower smoothly, and the tops of the side light guards will scrape the fabric.



Correct Position

Incorrect Position