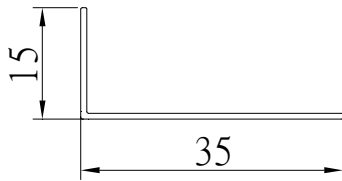


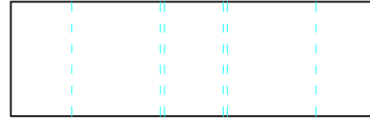
N300698-3

65101-11773-C

Installation Instructions for Aluminum Light Guard



Aluminum Light Guard



Clear Plastic Tape (only for split light guard)

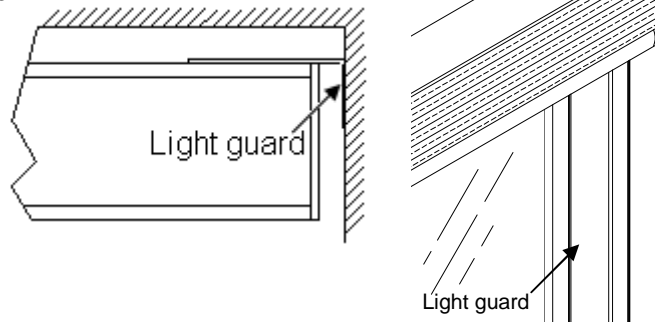
Install Aluminum Light Guard (optional for IB)

a. The light guard is to be placed at back of the shade on left & right side.

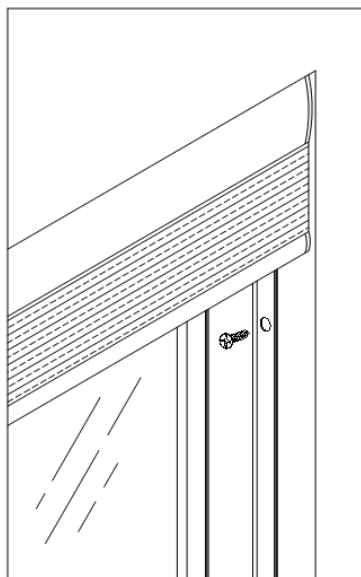
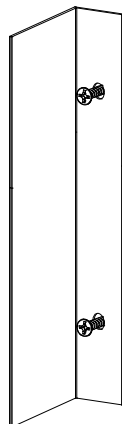
Place the light guard vertically towards the bottom window frame. To avoid scraping, leave at least 2mm gap between fabric stack and light guard. And then mark out the location with a pencil. Remove the double sided tapes and carefully paste the light guard in position.

Note: The light guards on both sides are identical;

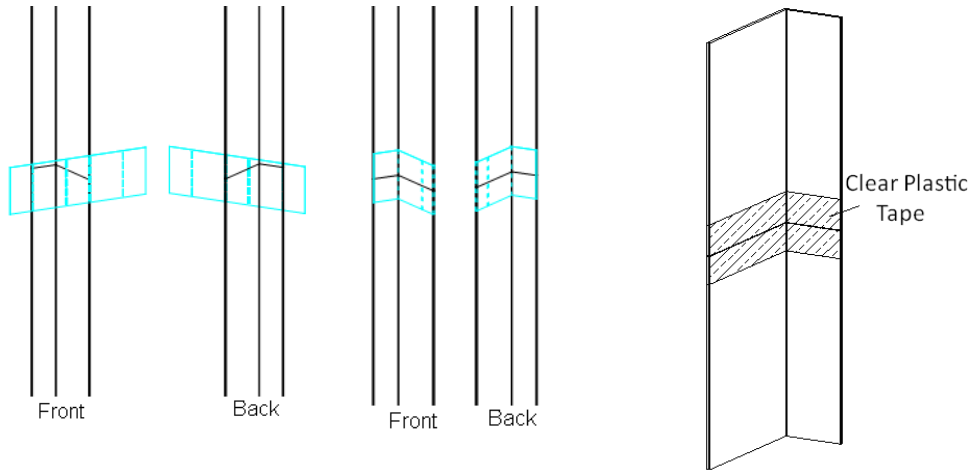
Use the double-sided tape on the narrow side of the light guard to attach to the window frame.



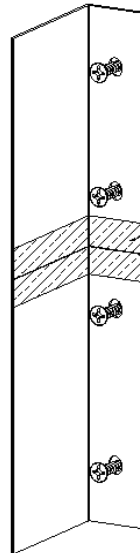
*For SmartFit for sloped windows, add 2 pcs of 3/4" flat head screws to secure the light guard.



b. When the light guard length exceeds 96", it will be spliced into 2pcs. Stick 2pcs of clear plastic tape on both sides of the split part to seam the light guard.



**For SmartFit for sloped windows, add 3/4" flat head screws to secure the light guard.*



Note: We recommend that the seam be placed on top, shown in right drawings.

