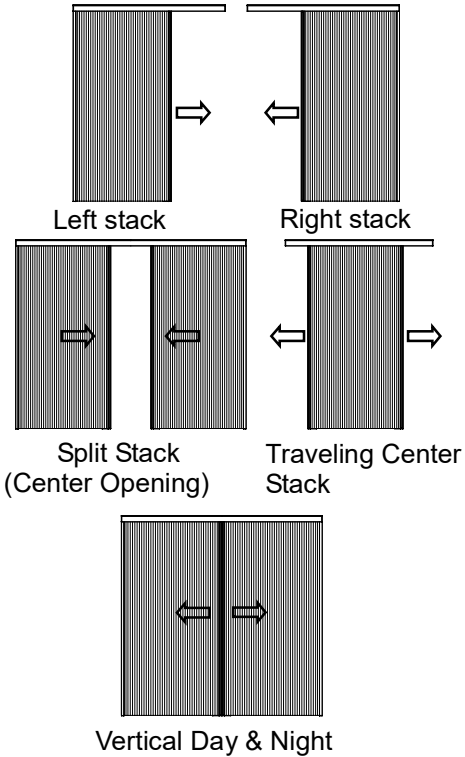


# Installation Instructions

## Honeycomb Shades

### Patio Door Vertical & Vertical Day&Night



### Getting Started

Remove the shade from the package. Save the packaging until the shade is installed and working to your satisfaction.

#### Tools Needed :

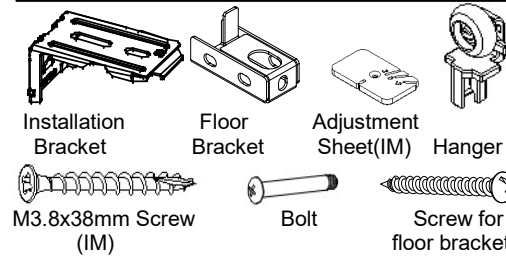
- Power drill and drill bit
- Measuring tape
- Screwdriver
- Level
- Pencil
- Pliers



You will need to use the following fasteners for your particular mounting surface.

Surface	Fastener
Wood	1 1/4" Hexagonal Head Screws (Provide)
Drywall/Plaster	Wall Anchors, Expansion Bolts (Not Provide)
Metal	Sheet Metal Screws (Not Provide)

### Check Component/Hardware:



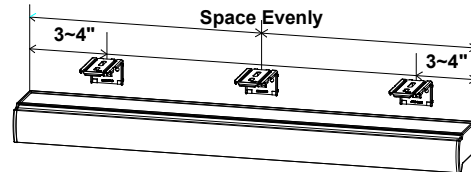
### Hardware Standard Quantity

Order Width (X)	X ≤ 39"	39" < X ≤ 66"	66" < X ≤ 93"	93" < X ≤ 120"	X > 120"
Installation Bracket	2	3	4	5	6
Floor Bracket	Right stack	1			
	Left stack	1			
	Traveling Center Stack	0			
	Split Stack (Center Opening)	2			
1 1/4" Screw for Bracket	installation bracket qty x 2 (Hexagonal Head) + floor bracket qty (round head screw)				
	M3.8 Screw & adjustment sheet (IM)	2	3	4	5
Bolt	Right stack	1			
	Left stack	1			
	Traveling Center Stack	2			
	Split Stack (Center Opening)	2			
Hanger	Same as clip qty				
	Spacer Block (Optional)	1pcs for extend distance 3/8" 2pcs for extend distance 11/16"			

Note: Optional flat head screws included. Use as needed.

### Step 1: Bracket Installation

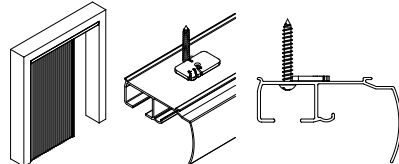
Measure 3"~4" from both ends of the headrail. Evenly space the brackets and mark the locations on the mounting surface. Proper alignment of brackets will make installation easier.



### Inside Mount:

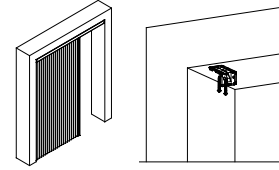
#### Option 1: Without installation brackets

Put the provided adjustment sheet next to screw hold on headrail. Secure the headrail with M3.8 screws to the top of window frame. Use wall anchors for drywall or plaster wall.



#### Option 2: With installation brackets

Align the front of bracket flush against the wall. Secure each bracket with two 1 1/4" mounting screws. Use wall anchors for drywall or plaster wall.

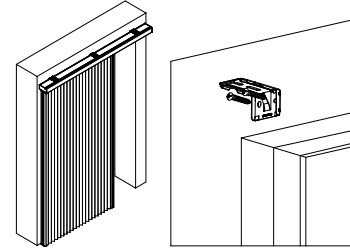


One finished, go to Step 2: Shade Installation.

### Outside Mount:

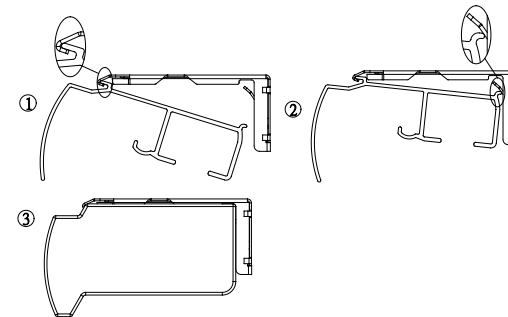
Position the top of bracket at order height +1/8".

Use two 1 1/4" mounting screws (Hexagonal Head) to secure brackets. Use wall anchors for drywall or plaster wall.



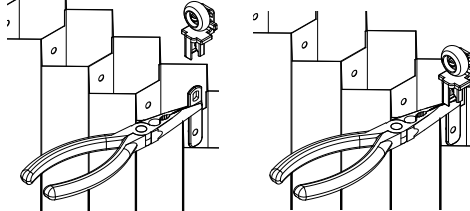
### Step 2: Shade Installation

a. Position headrail at an angle so that it hooks into the front of the brackets. Then push upward to snap the headrail into the brackets.



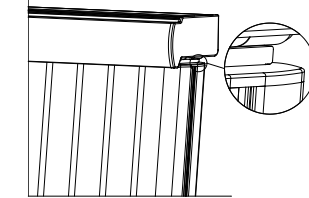
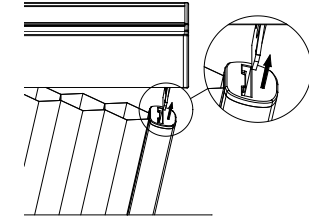
b. Attach the hangers (found in the hardware box) to the clips (pre-attached on the blanket) at the top of the shade.

For convenient operation, reverse the shade when opening the package and face to the back of blanket.



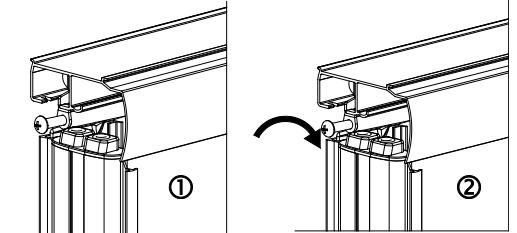
c. Install fixed vertical rail

Push the fixed vertical rail from down to up as below drawing shows. Attach fixed vertical rail by pushing the fixing hanger into the gap of headrail as the drawing shows.



d. Install movable vertical rail

Align the hanger shaft hole with the sliding supporting shaft hole, and insert the bolt into the shaft hole completely (1). Tighten the bolt completely (2).

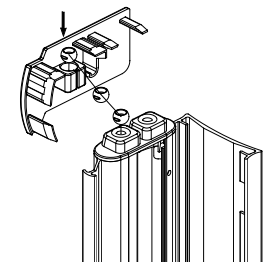


e. Untie the cords. Put the buckle bead into groove of headrail end cap on the movable rail side (make sure the buckle bead goes into the groove top down) as drawing shows.

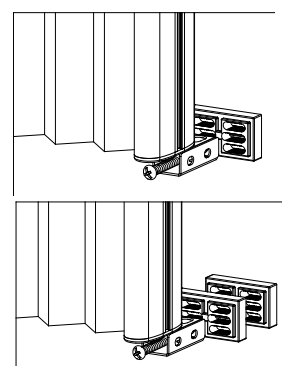
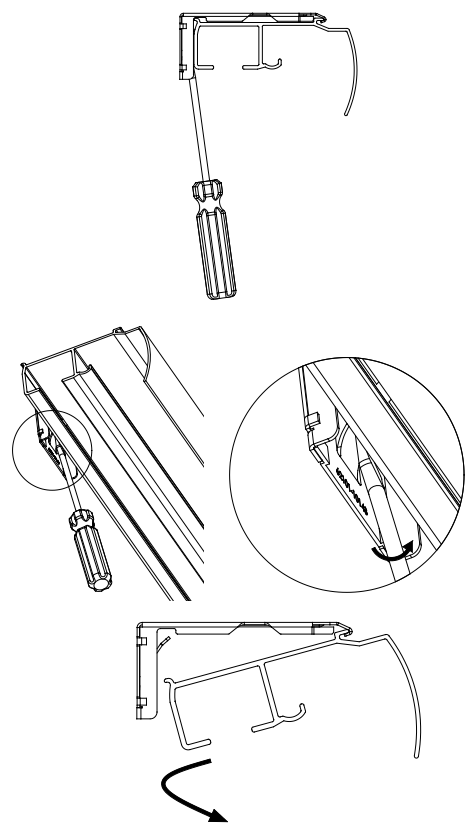
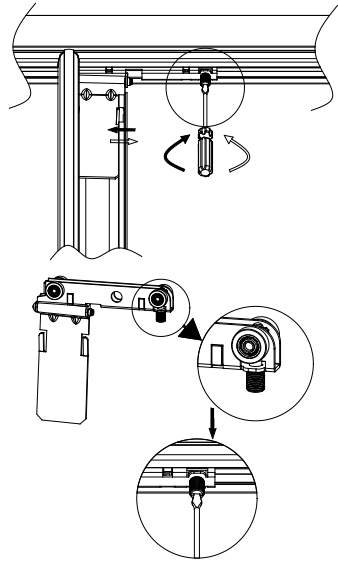
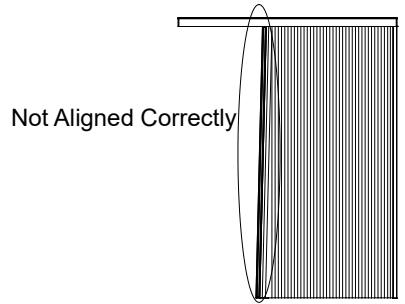
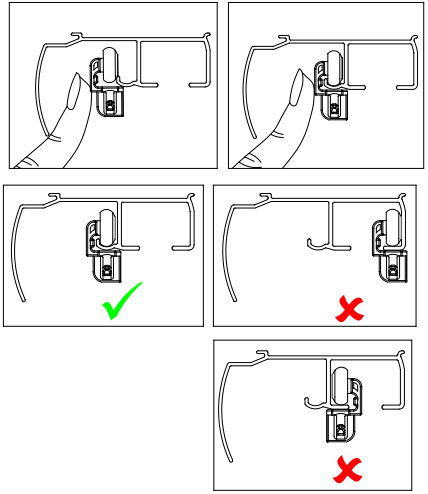
Notes: 1. For Left Stack, Split Stack (Center Opening) left shade and Day & Night left shade, put the buckle bead into groove of right headrail end cap.

2. For Right Stack, Split Stack (Center Opening) right shade and Day & Night right shade, put the buckle bead into groove of left headrail end cap.

3. For Traveling Center Stack, put the buckle bead from right movable rail into groove of right headrail end cap; put the buckle bead from left movable rail into groove of left headrail end cap.



f. Press hangers onto the headrail from the front of the shade. Make sure the hangers are in the front of the middle groove in headrail.

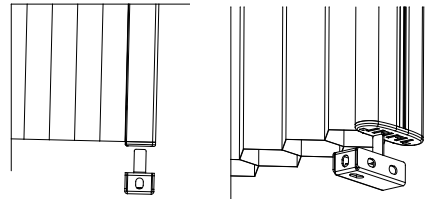


**⚠️ Spacer block will be provided only when customer request.**

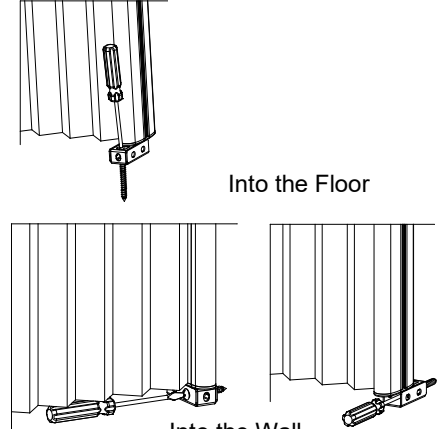
**Troubleshooting**

Problem	Solution
When the cord is loose, adjustment is necessary. a. Remove the buckle bead from the headrail end cap. b. Remove the cord knot from the buckle, readjust the cord length and tie a knot. Put back the buckle bead into the headrail end cap. Do not over tighten.	

g. Attach the floor bracket to the end cap of fixed vertical rail, shown in left drawing shows.



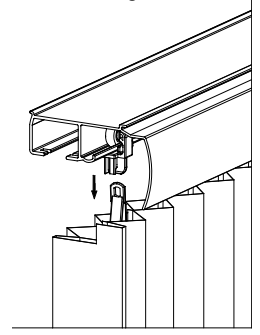
Make sure the rail is aligned straight with the floor and wall. With the provided screw, secure the floor bracket to the floor or to the wall shown below. Floor bracket has been pre-attached to the end cap of fixed vertical rail



h. If the vertical rail is not aligned straight up and down, adjustment is necessary. Tighten or loosen the screw to adjust the movable rail so it is aligned straight.

**Shade Removal**

Please use the reverse steps of installing vertical rail and shade to remove the vertical rail and shade.  
Note: Separate clips from hangers as below drawing shows, and leave the hangers on headrail.

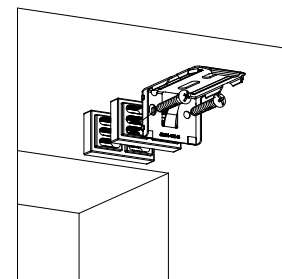


Gently pry the brackets off the headrail with a flat screwdriver as next diagram shows.

**Installation of spacer block (for OB)**

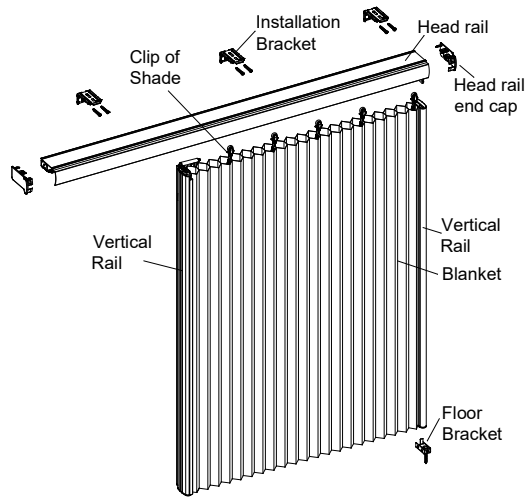
**For installation bracket:** Install the spacer block (1pc or 2pcs) in the back of the installation bracket as the next diagram shows.

Extend up to 3/8" for 1pc spacer block. Extend up to 11/16" for 2pcs spacer block.



**For floor bracket:** Install the spacer block (1pc or 2pcs) at the backside of the Floor bracket as the next diagram shows.

Extend up to 3/8" for 1pc spacer block. Extend up to 11/16" for 2pcs spacer block.



*Some options listed may not be applicable.*