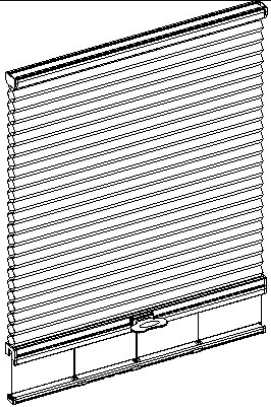


N301188-1
65101-11921-A

Installation Instructions

Honeycomb Shades ClearFit™ for Skylights



Getting Started

Remove the shade from the package. Save the packaging until the shade is installed and working to your satisfaction.

Tools Needed :

- Power drill and drill bit
- Measuring tape
- Screwdriver
- Level
- Pencil
- Steel wire regulator (Provided)



You will need to use the following fasteners for your particular mounting surface.

Surface	Fastener
Wood	1 1/4" Screws (Provided)
Drywall/Plaster	Wall Anchors, Expansion Bolts (Not Provided)
Metal	Sheet Metal Screws (Not Provided)



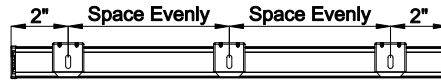
Handle Base (Pre-Installed) **Handle**

Hardware Standard Quantity

Order width (X)	X < 31 3/4"	31 3/4" ≤ X < 45 9/16"	45 9/16" ≤ X ≤ 59"	
Headrail Bracket	2	3	4	
Bottom rail Bracket	3	3	4	
L-Shape Supporting Bracket Set (OB only)	3	3	4	
Handle	1			
M3 x 3.6mm Screw for L-Shape Supporting Bracket Set	3	3	4	
Regulator	1			
M3.5x25mm screw	OB	6	6	8
	IB	3	3	4
1 1/4" Screw	OB	4	6	8
	IB	2	3	4

Bracket Installation

Bracket Distribution for Top Rail

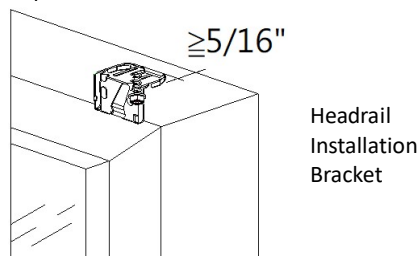


Bracket Distribution for Bottom Rail



Inside Mount

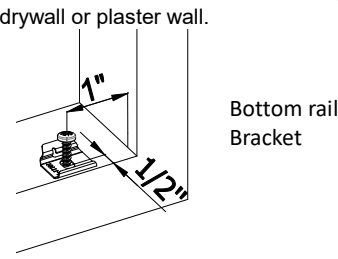
Mount Headrail brackets with 1 1/4" screws aligned horizontally. Allocate a min. distance of 5/16" from wall to the front of brackets (as shown below). Use wall anchors for drywall or plaster wall.



Headrail
 Installation
 Bracket

Mount bottom rail brackets with M3.5x25mm screws aligned horizontally.

Allocate a min. of 1/2" from bracket screw hole to the front of the frame and 1" from the wall. Use wall anchors for drywall or plaster wall.



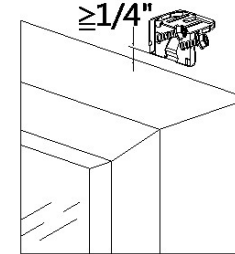
Bottom rail
 Bracket

Do not over tighten the screw.

Outside Mount

Allocate a min. distance of 1/4" between the end of the brackets and the top of the window frame. Mount brackets with 2pcs of 1 1/4" screw aligned horizontally.

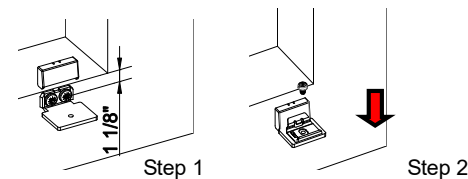
Do not over tighten the screw.



The distance between bottom rail L bracket screw hole to the bottom edge of the frame should be at least 1 1/8" and 1" from the shade edge.

Mount L brackets with 2pcs M3.5x25mm screw. Cover the brackets and secure with M3x3.6 screw.

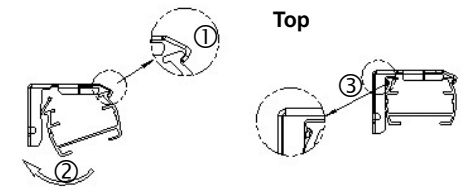
Do not over tighten the screw.



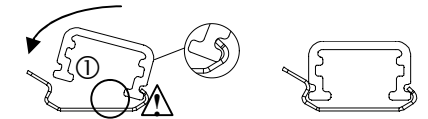
Install the Shade

- Position the shade so that the front is facing you.
- Insert the rail with an angle facing the window; hook from the bracket front and push upward to snap it in.

Do not over tighten the screw. For proper installation, start by attaching the front of the rail to the bracket



Top

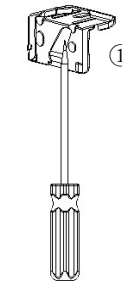
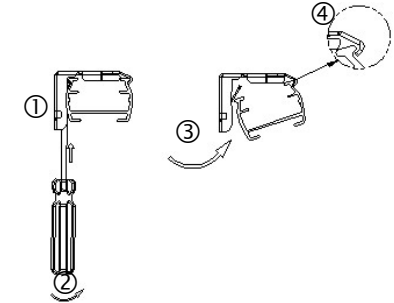


Bottom

Remove the Shade

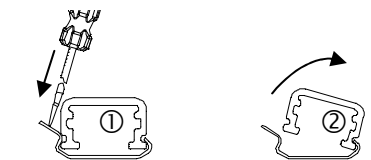
Fully raise the shade. Insert screwdriver into the gap between the back of the rail and the bracket. Gently maneuver the screwdriver toward yourself to pry the bracket.

Top



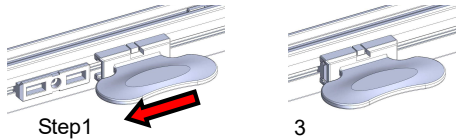
Front view of ①

Bottom



Handle Installation


Slide the handle onto the handle base that is pre-attached to the rails.

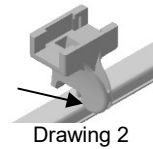
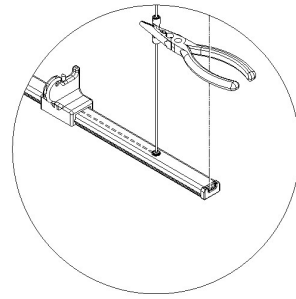
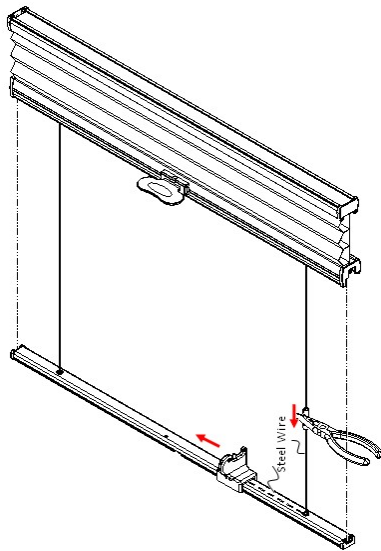
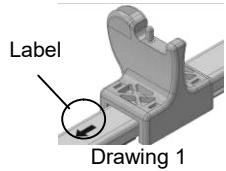


Adjust the Steel Wire

After the installation, tighten the steel wire by sliding the regulator towards the direction as shown on label in Drawing 1.

To make tightening the steel wire easier, it is suggested to use a pliers to pull the steel wire towards the bottom rail, and then adjust the regulator pin to tighten the steel wire.

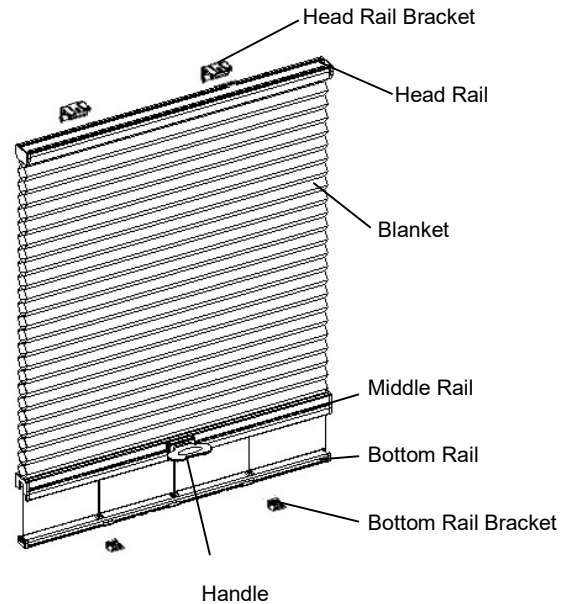
 Put a cloth between the pliers and steel wire in case the steel wire breaks.



To loosen the steel wire, place the regulator pin on the bottom rail and press down-as shown in Drawing 2.

Cleaning

Routine cleaning will help maintain the beauty of your shade. The shade can be cleaned by using a soft brush, vacuumed with a low suction hand-held vacuum, cleaned ultrasonically (specify that a mild solution must be used and that the headrail should never be immersed in liquid). Dampen a clean cloth with a solution of warm water and mild detergent to dab the spot until it's gone (do not rub!).



Some options listed may not be applicable.