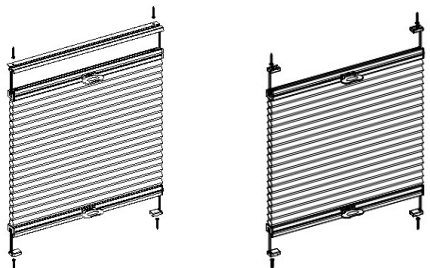


N301184-1
65101-11922-A

Installation Instructions

Honeycomb Shades

ClearFit™



With Rail Cover

Without Rail Cover

Getting Started

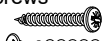
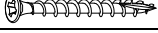


Remove the shade from the package. Save the packaging until the shade is installed and working to your satisfaction.

Tools Needed:

- Power drill and drill bit
- Measuring tape
- Screwdriver
- Level
- Pencil



You will need to use the following fasteners for your particular mounting surface.

Surface	Fastener
Wood	M3.5x25mm Screws (Provided) 
	M3.8x38mm 
Drywall/Plaster	Wall Anchors, Expansion Bolts (Not Provided) 
Metal	Sheet Metal Screws (Not Provided) 

Check Components/Hardware:



Handle Base (Pre-Installed) Handle

Hardware Standard Quantity

Order Width (X)	X ≤ 50"	X > 50"
Handle	2	4
Cord Equalizer Housing Base (with Rail Cover)	2	
Cord Equalizer Housing Base (without Rail Cover)	4	

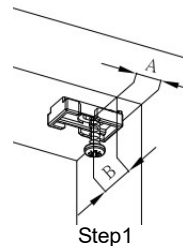
Order Width (X)	X ≤ 50"	X > 50"
L Bracket (for 3/8" Single, Outside Mount) (with Rail Cover)	2	N/A
L Bracket (for 3/8" Single, Outside Mount) (without Rail Cover)	4	N/A
L Bracket for windows with marble sill (Optional)		2
L bracket (for 3/4" Single, 1/2" Double & 9/16" Single Outside Mount) (with Rail Cover)		2
L bracket (for 3/4" Single, 1/2" Double & 9/16" Single, Outside Mount) (without Rail Cover)	8.5" < X ≤ 40", 4 40" < X ≤ 52", 5 52" < X ≤ 65", 6 65" < X ≤ 72", 7	
M3.5x25mm Screw (for Base, 3/8" Single, Inside Mount) (with Rail Cover)	8.5" < X ≤ 40", 4 40" < X ≤ 50", 5	N/A
M3.5x25mm Screw (for Base, 3/8" Single, 3/4" Single, 1/2" Double & 9/16" Single Inside Mount) (without Rail Cover)		4
M3.5x25mm Screw (for Base, 3/4" Single, 1/2" Double & 9/16" Single, Inside Mount) (with Rail Cover)	8.5" < X ≤ 40", 4 40" < X ≤ 52", 5 52" < X ≤ 72", 6	
1 1/4" Screw (for Base, 1 1/4" Single & 3/4" Double, Inside Mount) (with Rail Cover)	8.5" < X ≤ 40", 6 40" < X ≤ 52", 8 52" < X ≤ 72", 10	
1 1/4" Screw (for Base, 1 1/4" Single & 3/4" Double, Inside Mount) (without Rail Cover)		4
M3.8x38mm screw (for Outside Mount)		L bracket qty*2
Spacer Block (Optional, Outside Mount)	1pc to extend distance 3/8" 2pcs to extend distance 11/16"	
M3x3.6mm Screw (for 3/8" Single, Outside Mount) (Without Rail Cover)		L bracket qty
M3x3.6mm Screw (for 3/4" Single, 1/2" Double & 9/16" Single Outside Mount) (Without Rail Cover)		4
M3x3.6mm Screw (for 3/8" Single, 3/4" Single, 1/2" Double & 9/16" Single Outside Mount) (With Rail Cover)		2

Bracket Installation

Notes: when installing the Cord Equalizer Housing Cover, it is suggested to secure the bottom covers

first and then unfasten the top cord to secure the top covers.

A. Without Rail Cover (Only available for 3/8" Single, 1/2" Double, 9/16" Single, 3/4" Single, not available for 1 1/4" Single & 3/4" Double)



★ Inside Mount

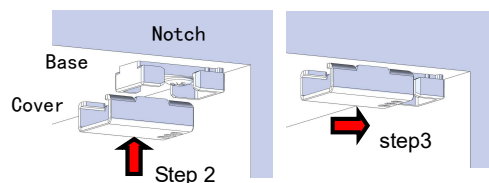
For flush mount, the minimum distance from the top/bottom wall to the Cord Equalizer Housing base side is B and A from the side wall to the edge of Base. Use M3.5x25mm Screw to secure the base. Align the cover with the notch of the base and push the cover in toward the wall.

TOP:

For 3/8" Single, A=7/16" & B=3/8"

For 9/16" Single, A=7/16" & B=1/2"

For 3/4" Single & 1/2" Double, A=7/16" & B=5/8"



BOTTOM:

For 3/8" Single, A=7/16" & B=3/8"

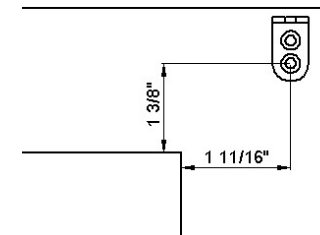
For 9/16" Single, A=7/16" & B=1/2"

For 3/4" Single & 1/2" Double, A=7/16" & B=5/8"

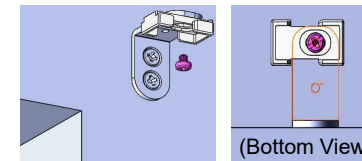
★ Outside Mount

TOP: Use two M3.8x38mm screws to fasten the L bracket.

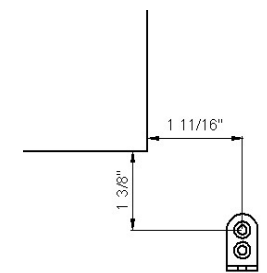
Once the L bracket is installed, use one M3 x 3.6mm bolt to attach base. Finally, align the cover with the notch of the base and push the cover in, as shown in "Inside Mount" illustration.



(The shade width and length is 4" larger than the window opening)



BOTTOM: Follow the directions provided for the Top L brackets, but reverse the direction.



(The shade width and length is 4" larger than the window opening)

Use M3.8x38mm screws to fasten the L bracket and one M3x 3.6mm bolt to attach base on L bracket.

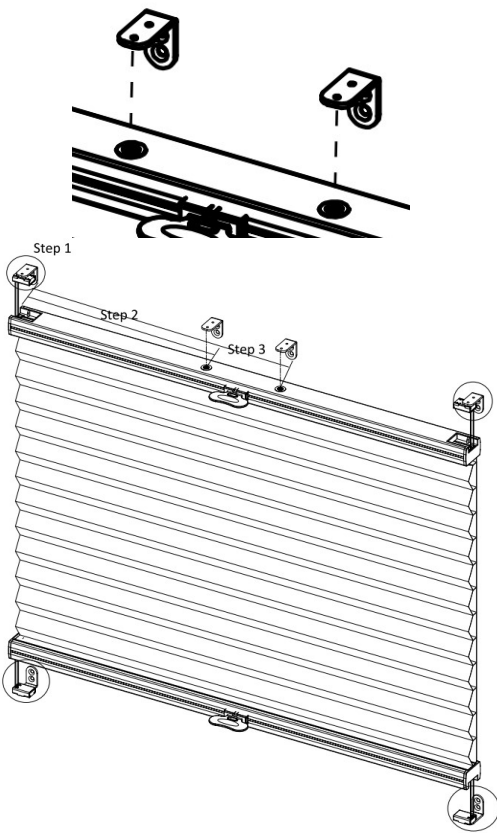


For 3/4" Single, 1/2" Double & 9/16" Single, when L bracket qty is more than 4pcs, please install the extra L brackets on top to attach with the magnets in the headrail.

Step1: place the L brackets on four corners

Step2: if there's one extra L bracket, measure from left headrail end cap to middle of first magnet to locate the extra L bracket and mark on the wall

Step3: if there're more L brackets, measure from left headrail end cap to middle of second / third magnet to locate the L brackets and mark on the wall.

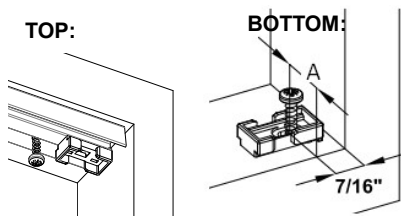


TIP: Once the hardware is in place, make sure to keep the cords pulled tight. The shade should not sag or feel loose, if it does please pull the cords taut.

B. With Rail Cover

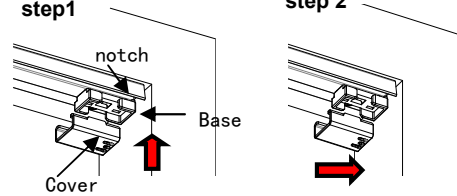
★Inside Mount

For flush mount, use M3.5×25mm Screw to secure the rail cover and the base.
 For 3/8" Single, 9/16" Single, 3/4" Single & 1/2" Double, A=5/8"
 For 3/4" Double & 1 1/4" Single, A=1 1/4"



Align the cover with the notch of the base and push

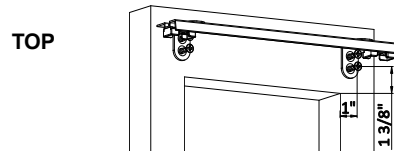
the cover in toward the wall as below diagram shows.



★Outside Mount

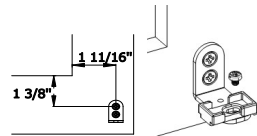
Outside Mount –for 3/8" Single Cell, 1/2" Double Cell, 9/16" Single Cell & 3/4" Single Cell
 (Not available for larger cell size)

Use two M3.8x38mm screws to fasten the L bracket. Then, align the cover with the notch of the base and push the cover in, as shown in "Inside Mount" illustration.



BOTTOM

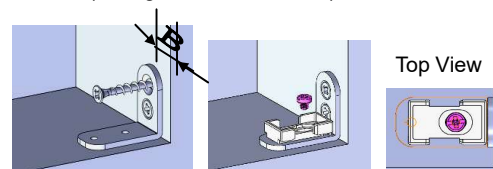
Use M3.8x38mm screws to fasten the L bracket and one M3x 3.6mm bolt to attach base on L bracket.



TIP: Once the hardware is in place, make sure to keep the cords pulled tight. The shade should not sag or feel loose, if it does please pull the cords taut.

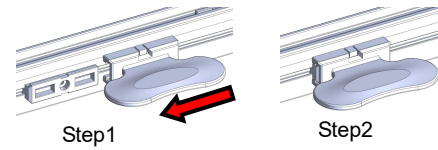
Side mount L bracket for windows with marble sill (optional) (Not available for larger cell size)

Allocate a distance of B (B=5/8" for 3/8" Single & 9/16" Single, B=7/8" for 3/4" Single & 1/2" Double) from bottom corner window frame and use two M3.8×38mm screws to secure the L bracket. Use one M3 x 3.6mm bolt to attach base to the L bracket (through inner screw hole)

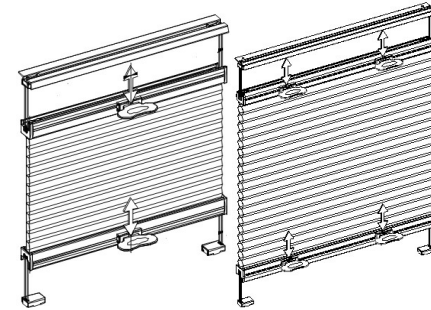


Handle Installation

Slide the handle onto the handle base that is pre-attached to the rails.



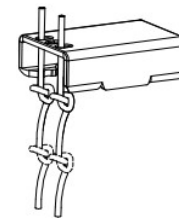
Operate your shade



Notes

For child safety, please check and ensure that there are no loose cords after the shade is completely installed. If the shade is too loose, please retie a new knot for it.

Remove bottom Cord Equalizer Housing Covers, untie the knot and make a new knot for adjustment. Please do not tie the cord too tight as it will cause too much friction.



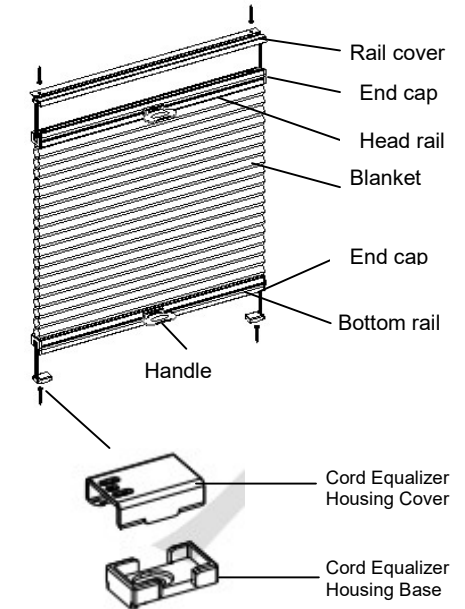
Please also make sure that cords are nice and tight and not tangled.



Cleaning

Routine cleaning will help maintain the beauty of your shade. The shade can be cleaned by using a soft brush, vacuumed with a low suction hand-held vacuum, cleaned ultrasonically (specify that a mild solution must be used and that the headrail should

never be immersed in liquid). Spot cleaning is not recommended, but if necessary, dampen a clean cloth with a solution of warm water and mild detergent to dab the spot until it's gone (do not rub!).



Some options listed may not be applicable.