

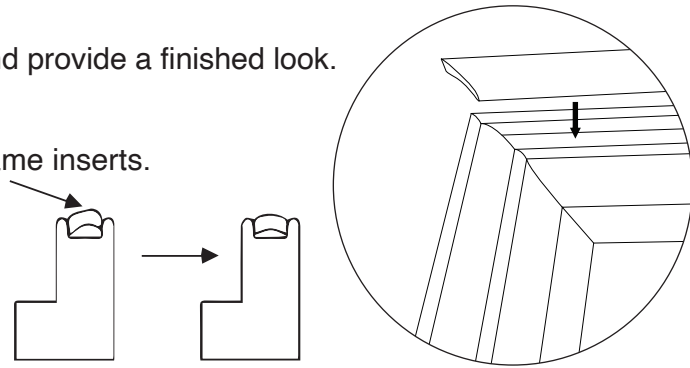
Step 5 – Add the Finishing Touch

IMPORTANT: Check shutter operation and alignment before installing frame inserts, as frame inserts can NOT be removed once they are snapped into place.

Match each frame insert with the corresponding side of the frame: Left to Left, Top to Top, Right to Right, Bottom to Bottom.

Snap inserts into place. This will cover screws and provide a finished look.

⚠ A rubber mallet can be used to help install frame inserts.

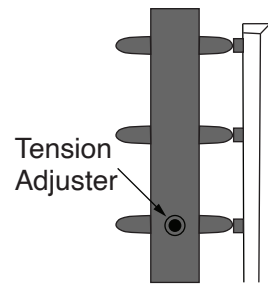


Maintain Your Shutter

Veneta™ shutters are made to resist most staining substances and may be easily cleaned by simply wiping down or dusting. For any stains or marks, a soapy water solution may be used along with a damp cloth. Open the louvers and panels, and wipe down the front and back of the shutters. You may also remove the panels from the frame and take down to clean.

Adjust the Tension System

If over a period of time the louvers on your shutters should loosen or not function properly, a built-in tension system can be adjusted. Simply open the panels fully and find the tension adjuster screw hole on the side of each panel. Use a screwdriver to gently turn the screw on each side of the panel to your desired resistance level. Repeat process for other panel(s) if necessary.



Lifetime Limited Warranty

All Veneta™ shutters have a lifetime limited warranty and will be free from defects in materials or workmanship for as long as the original retail purchaser owns the shutters, provided that such products were properly installed in residential dwelling; and such products were made or assembled exclusively from original materials and components. Any resale or other transfer of the product and/or materials voids this warranty.

For a complete copy of this warranty, please visit www.venetawindowfashions.com, or contact customer service by email or phone.

Customer Service

1-855-558-1222

Email: help@venetawindowfashions.com

Website: www.venetawindowfashions.com

VENETA™

Shutters Installation Instructions 4 Sided L Frame Outside Mount

CONGRATULATIONS on purchasing the finest shutters in the market. You can take pride that your purchase will enhance the function and beauty of your home.

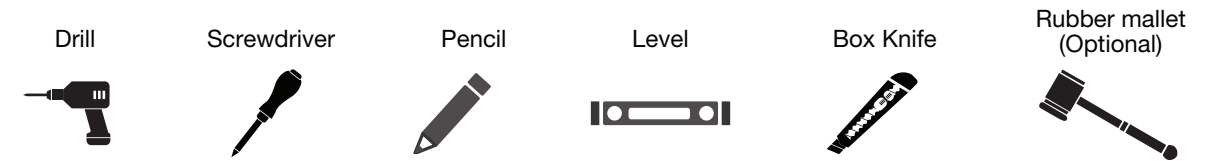
Installation Overview

- Getting Started
- Step 1: Assemble Frame
- Step 2: Level the Frame
- Step 3: Secure the Frame
- Step 4: Attach the Panels
- Step 5: Add the Finishing Touch



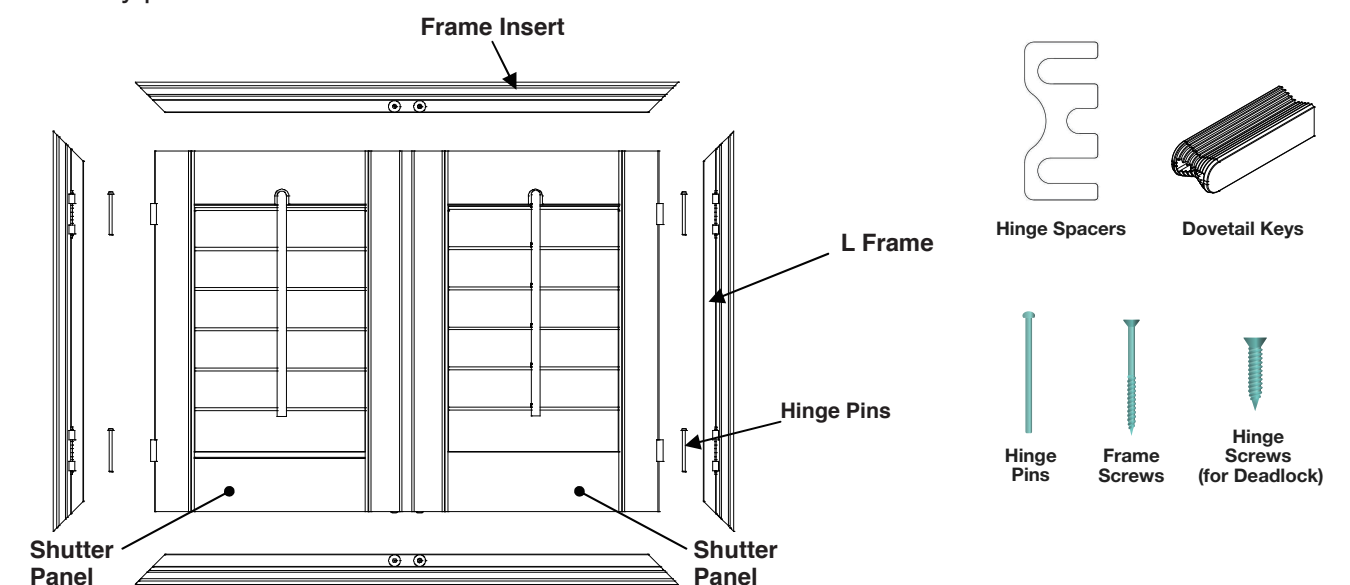
IMPORTANT: Do not mix panels or frames from other windows. Install one shutter at a time.

Tools needed for installing your shutter:



Getting Started

Remove the shutter from the package. Do not discard any of the packaging material until the shutter operates to your satisfaction. Check the diagram below to make sure you have the necessary parts.



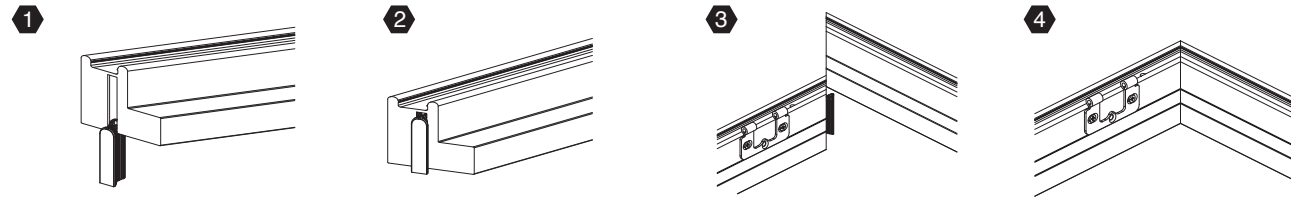
Step 1 – Assemble the Frame

- Carefully remove panels and frames from the packaging. Do not mix panels or frames from other windows. Frame pieces are labeled: top, left, right, and bottom. To separate the frame inserts from the frames, gently lift the frame insert from one side of the frame. Then carefully slide the insert out of the frame.



Scan the QR code to watch how to remove the frame inserts.

- Set all frames on a soft, level surface (moving blankets or some type of pad works best). Position each side of the frame and line up the Dovetail Key slot.
- Insert the Dovetail Key into each slot at the back of the frame. Use a rubber mallet if necessary.

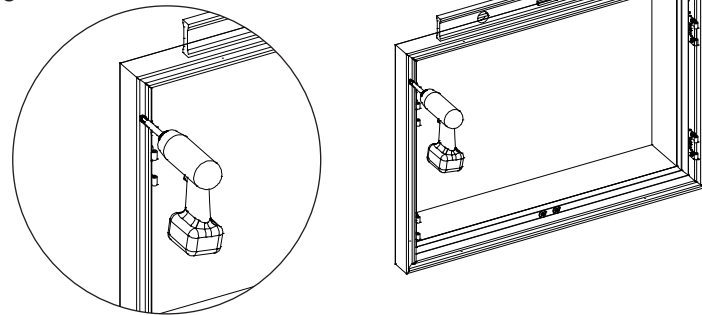


⚠ The Dovetail Key has a rounded side and a flat side. The rounded side should be inserted in slot first.

With the rounded side of the Dovetail Key facing up, push the top frame down onto the Dovetail Key.

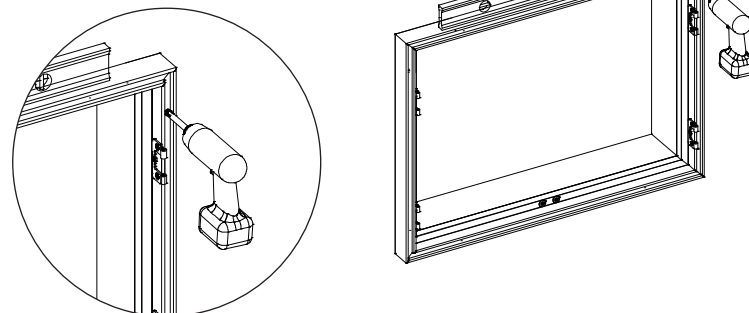
Step 2 – Level the Frame

- Position the assembled frame evenly around the window opening and secure with a screw into the upper left frame ONLY.



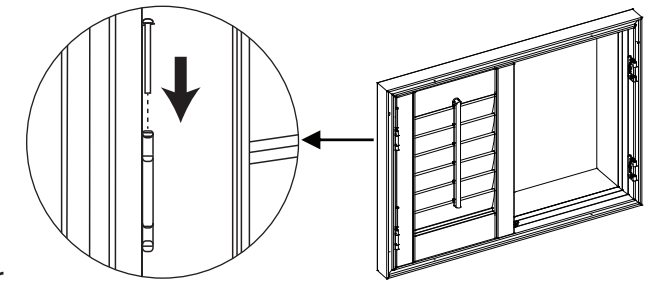
Step 3 – Secure the Frame

- Once the left side is secured, level the frame on the window and secure with a screw into the upper right frame. Shutter will be fully secured in later steps.

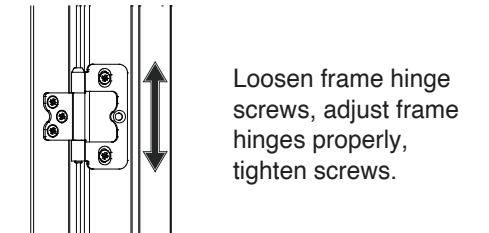


Step 4 – Attach the Panels

- Place the left shutter panel into the frame, align the hinges, and insert the hinge pin. Repeat for the right shutter panel. If you have bi-fold panels, after attaching the far left and/or far right panels to the frame, you will need to join the hinges of the panels labeled P1 and P2 and insert hinge pins. Repeat for panels labeled P3 and P4 if you have these. Proper order of panels from left to right is P1, P2, P3, P4.

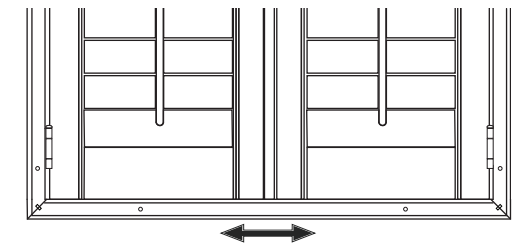


- If panel hinges are not aligned with frame hinges properly, then frame hinges can be adjusted.

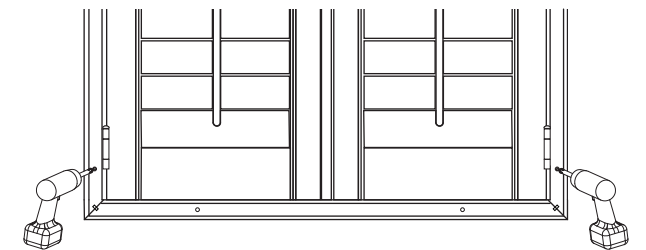


Loosen frame hinge screws, adjust frame hinges properly, tighten screws.

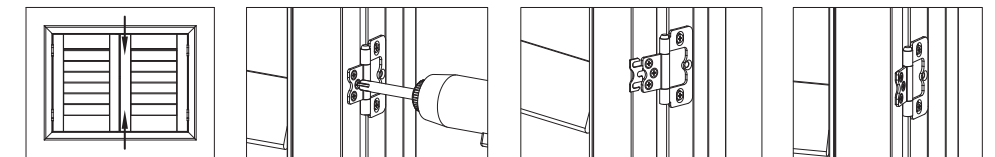
- Please check the gap between panel and frame at the top and bottom. The gap should be even; if not, then shift frame left to right until the gap is even.



- Once even, secure a screw at the bottom of the left frame and right frame.



- Check gap between panels and adjust accordingly with hinge spacers provided if needed.

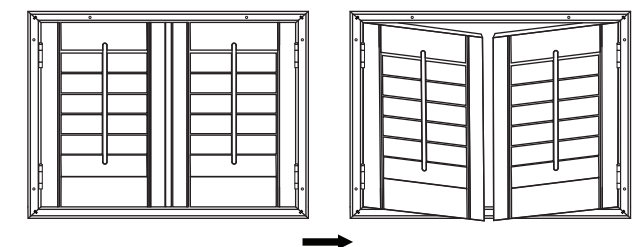


Loosen hinge screws on the panel

Insert spacer behind hinge, tighten screws

Spacer installed

- Open and close panels to make sure panels operate properly. Secure the frame with screws through the rest of the pre-drilled holes.



- Fasten the deadlock screw for all hinges.

